

SFKR

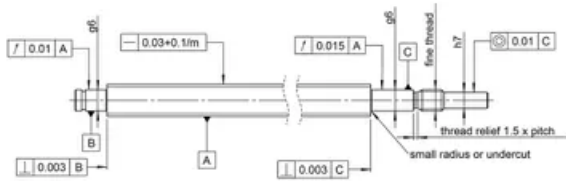
SFKR are miniature ball screws, best suitable for small manipulators, instruments etc. They enable very high positioning precision and stiffness because of the small lead. For optimal operation they do, however, require very high cleanliness and accuracy when built into an application.

A limited service- and prototyping-stock of basic grade with rolled spindles (C7) and axial play in the nut (P0) is kept available. For more demanding applications or larger quantities, contact us.

Standard nuts are with scrapers. Other types on request.

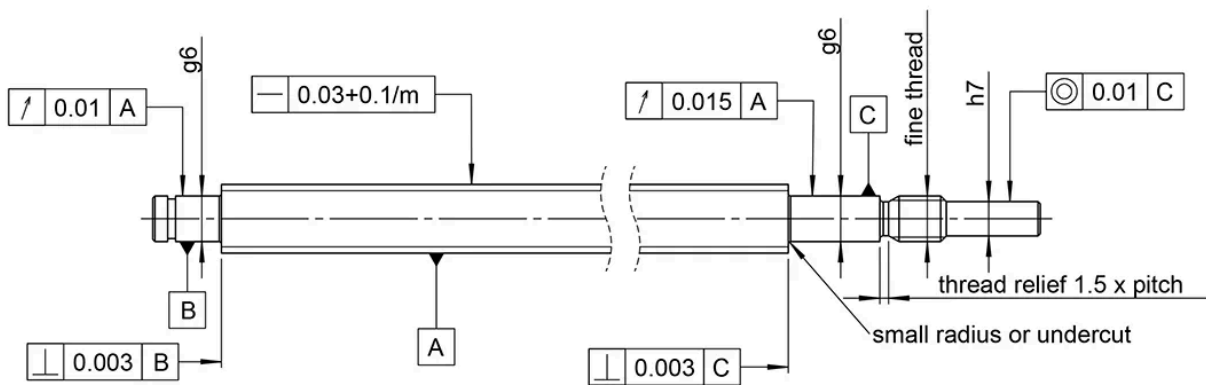
All dimensions in mm.





Recommended dimensional and geometrical tolerances for typical machining of miniature ball screws. Undercuts, radii and thread reliefs to be checked for suitability for chosen bearing- and lock-nut solution.

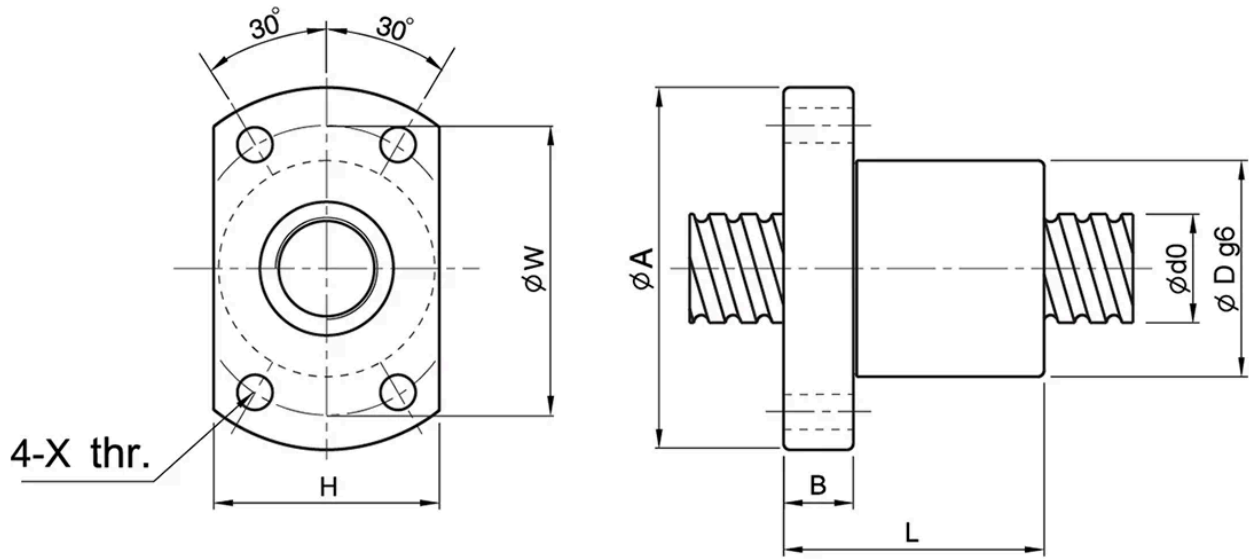
General Data



Recommended dimensional and geometrical tolerances for typical machining of miniature ball screws. Undercuts, radii and thread reliefs to be checked for suitability for chosen bearing- and lock-nut solution.

| Designation | Compatible with | Dynamic Load Ratings Ca (N) | Static Load Ratings C0a (N) | Ball diameter | Turns x circuits |
|-------------|----------------------------------|--------------------------------|--------------------------------|---------------|------------------|
| SFKR0601 | — | 1110 | 2240 | 0.8 | 1 x 3 |
| SFKR0801 | FKN06 | 1610 | 4030 | 0.8 | 1 x 4 |
| SFKR1002 | FKN06 | 2430 | 5690 | 1.2 | 1 x 3 |
| SFKR1202 | BKN08 / FKN08 / BFN08 | 3340 | 9060 | 1.2 | 1 x 4 |
| SFKR1402 | BKN10 / FKN10 / BFN10 / FFN10 | 3540 | 10530 | 1.2 | 1 x 4 |

Dimensions



| Designation | A | B | D | H | L | W | X | d0 x Lead |
|-------------|----|-----|----|----|----|----|-----|-----------|
| SFKR0601 | 24 | 3.5 | 12 | 16 | 15 | 18 | 3.4 | 6 x 1 |
| SFKR0801 | 27 | 4 | 14 | 18 | 16 | 21 | 3.4 | 8 x 1 |
| SFKR1002 | 35 | 5 | 18 | 22 | 28 | 27 | 4.5 | 10 x 2 |
| SFKR1202 | 37 | 5 | 20 | 24 | 28 | 29 | 4.5 | 12 x 2 |
| SFKR1402 | 40 | 6 | 21 | 26 | 23 | 31 | 5.5 | 14 x 2 |