

RSKR

Single Nut, Cylindrical with Thread.

Tolerance D: h10.

Standard nuts are without any seals or scrapers. Other types on request.

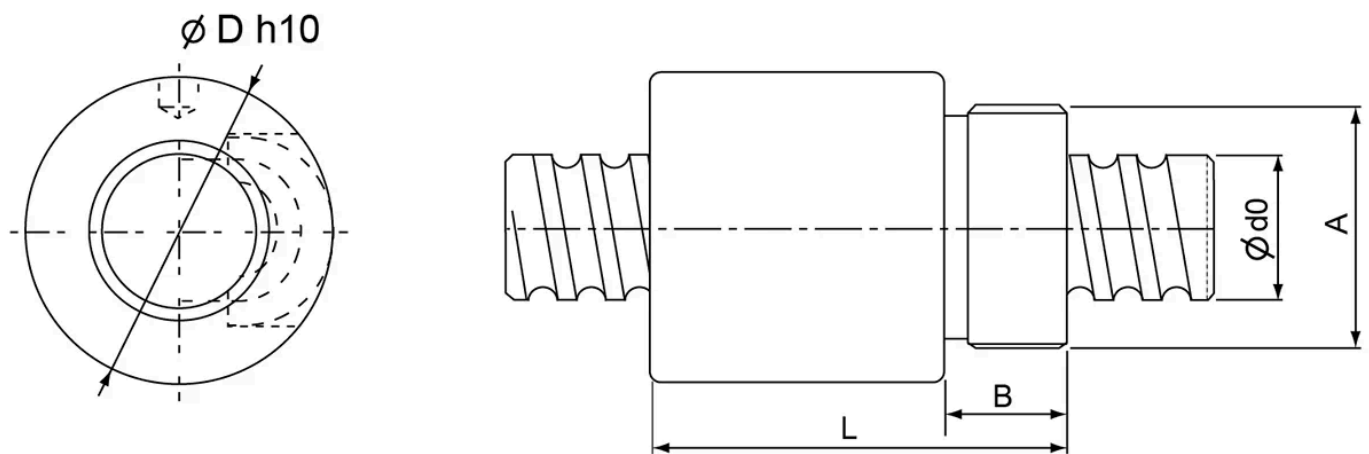
All dimensions in mm.



General Data

Designation	Compatible with	Dynamic Load Ratings Ca (N)	Static Load Ratings C0a (N)	Ball diameter	Turns x circuits
RSKR082.5	FKN06	2109	2345	1.2	1 x 2.5
RSKR1204	BKN08 / FKN08 / BFN08	6327	6798	2.381	1 x 3.5
RSKR1605	BKN12 / FKN12 / BFN12 / FFN12	10291	11223	3.175	1 x 3.5

Dimensions



Designation	A	B	D	L	d0 x Lead
RSKR082.5	M15 x 1	7.5	17.5	26	8 x 2.5
RSKR1204	M20 x 1	10	25.5	34	12 x 4
RSKR1605	M26 x 1.5	12	32.5	42	16 x 5