

FSCR/FSCL

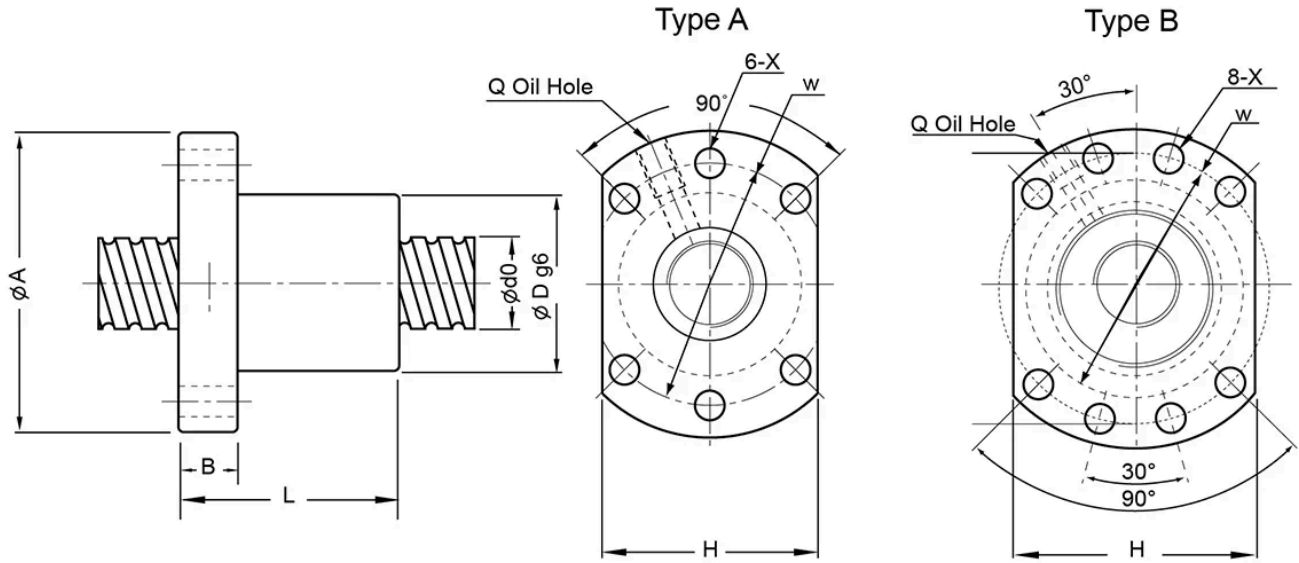
Ball nut with Flange (DIN 69051).
Available in right (FSCR) and left (FSCL) lead.

Standard nuts are with oil-seals.

All dimensions in mm.



General Data

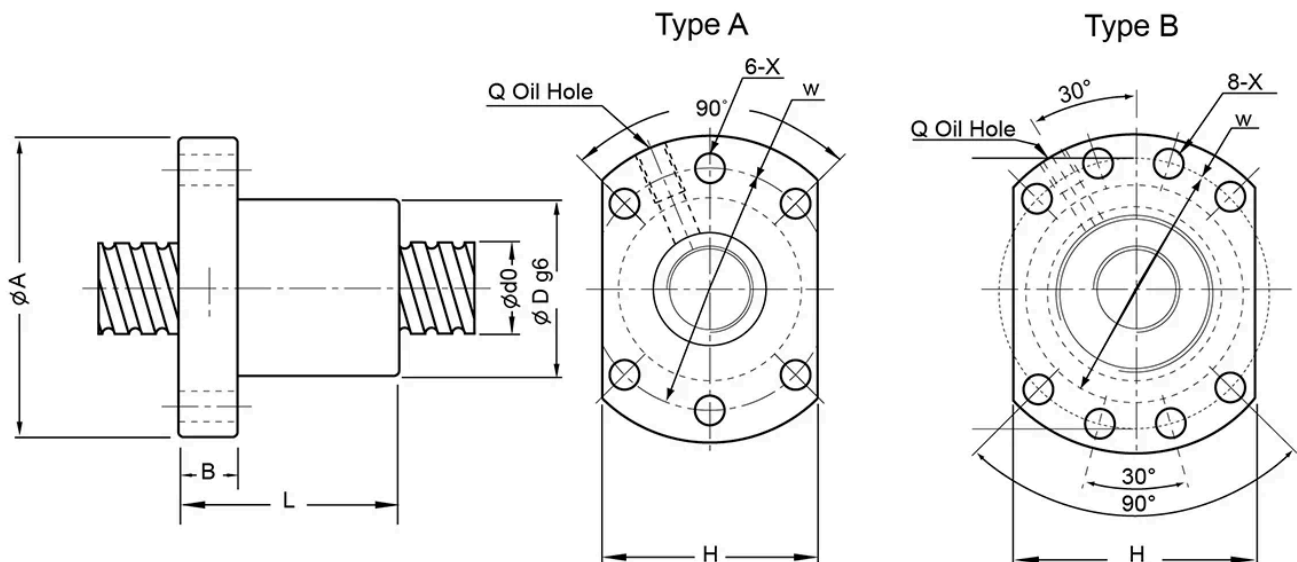


Designation	Compatible with	Type	Dynamic Load Ratings Ca (N)	Static Load Ratings C0a (N)	Ball diameter
FSCR1605	BKN12 / FKN12 / BFN12 / FFN12	A	13185	14960	3.175
FSCRN1610	BKN12 / FKN12 / BFN12 / FFN12	A	11576	14676	3.175
FSCR2005	BKN15 / FKN15 / BFN15 / FFN15	A	14833	19571	3.175
FSCL2005	BKN15 / FKN15 / BFN15 / FFN15	A	14833	19571	3.175
FSCR2505	BKN20 / FKN20 / BFN20 / FFN20	A	16716	25320	3.175
FSCR2510	BKN17 / FKN17 / BFN17 / FFN17	A	28263	36248	4.762
FSCR3205	BKN25 / FKN25 / WBK25DF / BFN25 / FFN25	A	18874	33383	3.175
FSCL3205	BKN25 / FKN25 / WBK25DF / BFN25 / FFN25	A	18874	33383	3.175
FSCR3210	BKN25 / FKN25 / WBK25DF / BFN25 / FFN25	A	47422	76861	6.35
FSCR3220	BKN25 / FKN25 / WBK25DF / BFN25 / FFN25	A	21003	35081	3.969
FSCR4005	BKN30 / FKN30 / WBK30DF / WBK30DFF / BFN30 / FFN30	B	21013	42595	3.175
FSCR4010	BKN30 / FKN30 / WBK30DF / WBK30DFF / BFN30 / FFN30	B	52964	98826	6.35
FSCR4020	BKN30 / FKN30 / WBK30DF / WBK30DFF / BFN30 / FFN30	B	37101	63451	5.556
FSCR5010	BKN40 / WBK40DF / WBK40DFF / BFN40	B	58203	120791	6.35
FSCR6310	—	B	65727	159216	6.35
FSCR6320	—	B	87868	176040	9.525

Designation	Turns x circuits
FSCR1605	1 x 4
FSCRN1610	3 x 1
FSCR2005	1 x 4
FSCL2005	4 x 1
FSCR2505	1 x 4
FSCR2510	1 x 4

Designation	Turns x circuits
FSCR3205	1 x 4
FACL3205	1 x 4
FSCR3210	1 x 4
FSCR3220	3 x 1
FSCR4005	1 x 4
FSCR4010	1 x 4
FSCR4020	3 x 1
FSCR5010	1 x 4
FSCR6310	1 x 4
FSCR6320	1 x 3

Dimensions



Designation	A	B	D	H	L	Q	W	X	d0 x Lead
FSCR1605	48	10	28	40	50	M6	38	5.5	16 x 5
FSCRN1610	48	12	28	40	43	M6	38	5.5	16 x 10
FSCR2005	58	10	36	44	53	M6	47	6.6	20 x 5
FACL2005	58	10	36	44	34	M6	47	6.6	20 x 5
FSCR2505	62	10	40	48	53	M6	51	6.6	25 x 5
FSCR2510	62	12	40	48	85	M6	51	6.6	25 x 10
FSCR3205	80	12	50	62	53	M6	65	9	32 x 5
FACL3205	80	12	50	62	53	M6	65	9	32 x 5
FSCR3210	80	16	50	62	90	M6	65	9	32 x 10
FSCR3220	80	13	50	62	78	M6	65	9	32 x 20
FSCR4005	93	16	63	70	56	M8	78	9	40 x 5
FSCR4010	93	18	63	70	93	M8	78	9	40 x 10
FSCR4020	93	15	63	70	83	M8	78	9	40 x 20
FSCR5010	110	18	75	85	93	M8	93	11	50 x 10
FSCR6310	125	18	90	95	98	M8	108	11	63 x 10
FSCR6320	135	20	95	100	138	M8	115	13.5	63 x 20

