

## RN/RN..W

Spanner tools for radial holes "R" available from Rollco.

All dimensions in mm.

\* The Maximal tightening torque of the nut should not be exceeded. It is not required, neither recommended to tighten the nut to its limits. What is mandatory is to always tighten the set screws to prescribed values, after the nut have been tighten to a distinct stop.

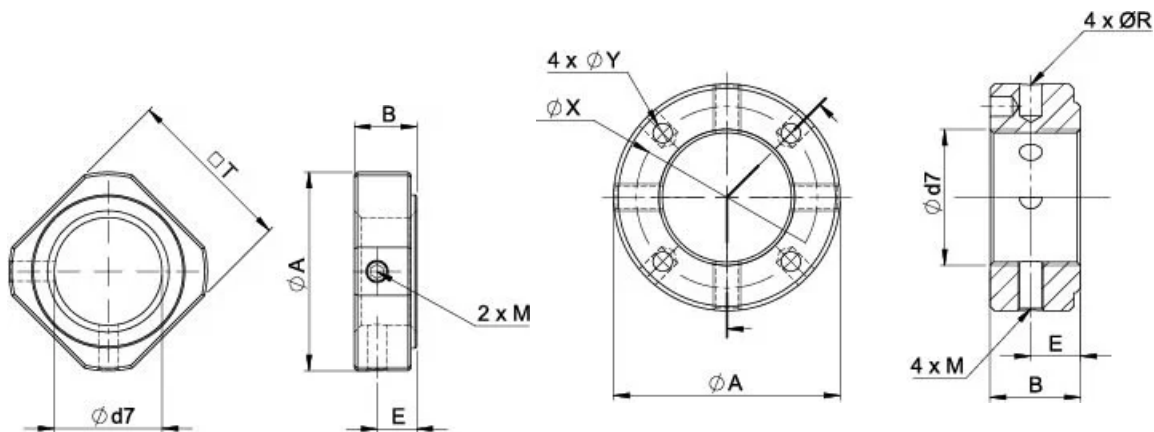




## General Data

Designation	Max. Tightening Torque Nut (Nm)*	Tightening Torque Set Screws (Nm)
RN06	2	0.6
RN08	3	0.6
RN10	3	0.6
RN12	7	1.5
RN15	8	1.5
RN17	10	1.5
RN20	17	1.5
RN25	21	5.0
RN30	32	5.0
RN40	72	5.0
RN25W	87	5.0
RN30W	105	5.0
RN40W	160	5.0

## Dimensions



Designation	A	B	E	M	R	T	Y	d7	X
RN06	13.5	5	2.7	M3	-	12	-	M6x0.75	-
RN08	16.4	6.5	4	M3	-	14	-	M8x1	-

Designation	A	B	E	M	R	T	Y	d7	X
<b>RN10</b>	19	8	5.5	M3	-	16	-	M10x1	-
<b>RN12</b>	22.8	8	5.5	M4	-	19	-	M12x1	-
<b>RN15</b>	25.8	8	4.75	M4	-	22	-	M15x1	-
<b>RN17</b>	29	13	9	M4	-	24	-	M17x1	-
<b>RN20</b>	35	11	7	M4	-	30	-	M20x1	-
<b>RN25</b>	43	15	10	M6	-	35	-	M25x1.5	-
<b>RN30</b>	48	20	14	M6	-	40	-	M30x1.5	-
<b>RN40</b>	62	25	18	M6	-	50	-	M40x1.5	-
<b>RN25W</b>	45	20	11	M6	5	-	4.3	M25x1.5	35
<b>RN30W</b>	50	20	11	M6	5	-	4.3	M30x1.5	40
<b>RN40W</b>	60	22	12	M6	5	-	4.3	M40x1.5	50