

MR-M ZUE Series

Standard narrow rail type
End seal, bottom seal, reinforcement plate, lubrication storage.

This product is available in different preload and accuracy classes (see more in Technical Information). Please note that we do not have versions with all preload or accuracy classes on stock.

Dimensions in mm.

See MR-M SS for sizes 3 and 7.

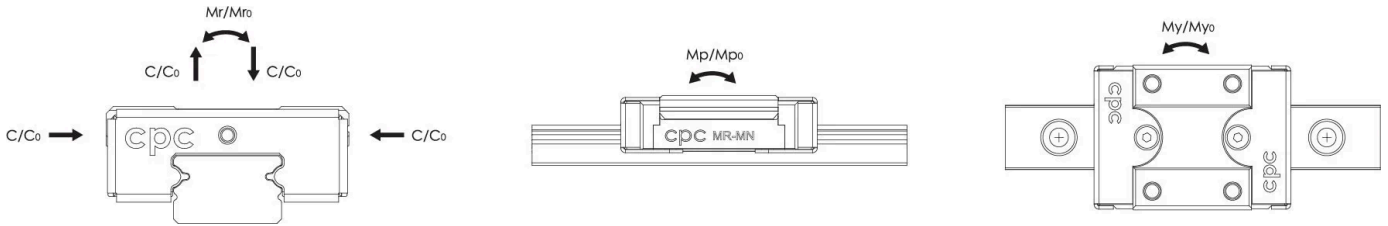
Please note that blocks and rails are not sold separately for sizes 2,3 and 5. Due to the small dimensions, blocks and sliders must be assembled and matched carefully to ensure correct quality and tolerances.

Lead times in the table below are only indications. Choice of preload, accuracy class and other options will affect lead time. Please contact us for exact delivery time for your request.

Material: Stainless steel



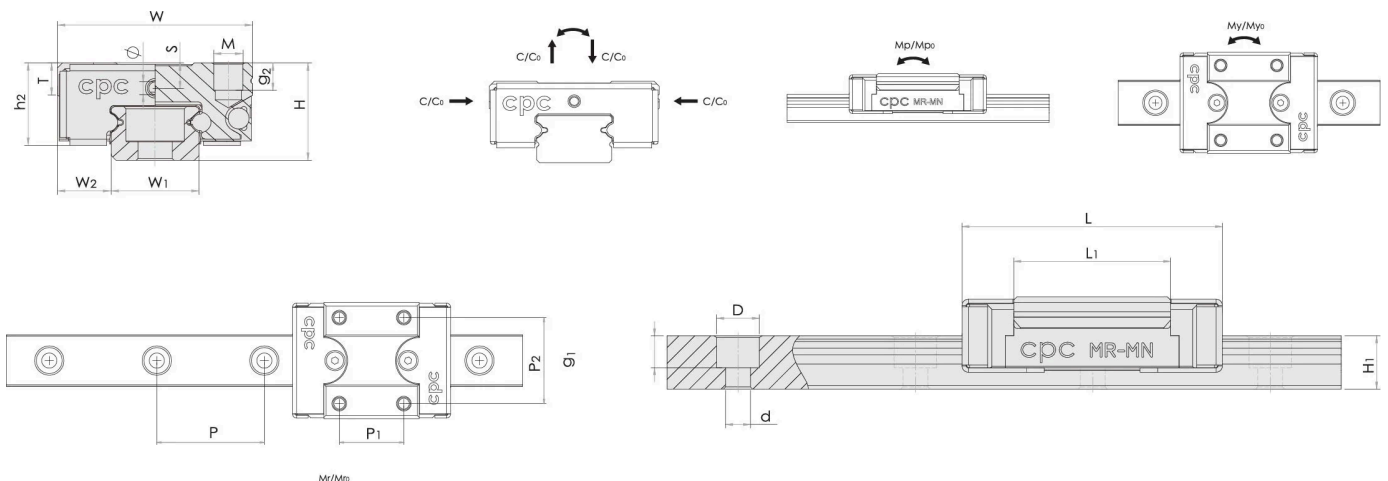
General Data



| Designation | Dynamic Load Capacity C (N) | Static Load Capacity C0 (N) | Static Moment Mr0 (Nm) | Static Moment Mp0 (Nm) | Static Moment My0 (Nm) |
|-------------|-----------------------------|-----------------------------|------------------------|------------------------|------------------------|
| MRU2MN-ZU | 158 | 349 | 0.43 | 0.54 | 0.54 |
| MR5MN-ZUE | 335 | 550 | 1.7 | 1 | 1 |
| MR5ML-ZUE | 470 | 900 | 2.4 | 2.1 | 2.1 |
| MR9MN-ZUE | 1570 | 2495 | 11.7 | 6.4 | 6.4 |
| MR9ML-ZUE | 2135 | 3880 | 18.2 | 12.4 | 12.4 |
| MR12MN-ZUE | 2308 | 3465 | 21.5 | 12.9 | 12.9 |
| MR12ML-ZUE | 3240 | 5630 | 34.9 | 30.2 | 30.2 |
| MR15MN-ZUE | 3810 | 5590 | 43.6 | 27 | 27 |
| MR15ML-ZUE | 5350 | 9080 | 70 | 63.3 | 63.3 |

| Designation | Dynamic Moment Mr (Nm) | Dynamic Moment Mp (Nm) | Dynamic Moment My (Nm) | Weight Block (g) |
|-------------|------------------------|------------------------|------------------------|------------------|
| MRU2MN-ZU | 0.19 | 0.24 | 0.24 | 0.8 |
| MR5MN-ZUE | 1 | 0.61 | 0.61 | 3.5 |
| MR5ML-ZUE | 1.25 | 1.1 | 1.1 | 4 |
| MR9MN-ZUE | 7.4 | 4 | 4 | 18 |
| MR9ML-ZUE | 10 | 6.8 | 6.8 | 28 |
| MR12MN-ZUE | 14.3 | 8.6 | 8.6 | 34 |
| MR12ML-ZUE | 20.1 | 17.4 | 17.4 | 51 |
| MR15MN-ZUE | 29.7 | 18.4 | 18.4 | 61 |
| MR15ML-ZUE | 41.2 | 37.3 | 37.3 | 90 |

Dimensions



| Designation | L | H | W | L1 | H1 | h2 | W1 | W2 | S |
|-------------|------|-----|----|------|-----|------|----|-----|-----|
| MRU2MN-ZU | 12.5 | 3.2 | 6 | 8.8 | 2 | 2.6 | 2 | 2 | - |
| MR5MN-ZUE | 16.8 | 6 | 12 | 10 | 3.5 | 5 | 5 | 3.5 | 1.3 |
| MR5ML-ZUE | 20.3 | 6 | 12 | 13.5 | 3.5 | 5.1 | 5 | 3.5 | 1.3 |
| MR9MN-ZUE | 31.9 | 10 | 20 | 20.5 | 5.5 | 8.7 | 9 | 5.5 | 2.2 |
| MR9ML-ZUE | 42 | 10 | 20 | 30.8 | 5.5 | 8.6 | 9 | 5.5 | 2.2 |
| MR12MN-ZUE | 37 | 13 | 27 | 22 | 7.5 | 11.2 | 12 | 7.5 | 3.2 |
| MR12ML-ZUE | 49 | 13 | 27 | 34 | 7.5 | 11.1 | 12 | 7.5 | 3.2 |
| MR15MN-ZUE | 45.1 | 16 | 32 | 27 | 9.5 | 13.3 | 15 | 8.5 | 3.3 |
| MR15ML-ZUE | 62 | 16 | 32 | 44 | 9.5 | 13.1 | 15 | 8.5 | 3.3 |

| Designation | T | D x d x g1 | Hole Pitch (P) | M x g2 | P1 | P2 | ø |
|-------------|-----|---------------|----------------|----------|----|----|-----|
| MRU2MN-ZU | - | M1 | 8 | M1.4x1.1 | 4 | - | - |
| MR5MN-ZUE | 2 | 3.5 x 2.4 x 1 | 15 | M2x1.5 | - | 8 | 0.7 |
| MR5ML-ZUE | 2 | 3.5 x 2.4 x 1 | 15 | M2.6x2.0 | 7 | - | 0.7 |
| MR9MN-ZUE | 3.3 | 6 x 3.5 x 3.5 | 20 | M3x3.0 | 10 | 15 | 1.3 |
| MR9ML-ZUE | 3.3 | 6 x 3.5 x 3.5 | 20 | M3x3.0 | 16 | 15 | 1.3 |
| MR12MN-ZUE | 4.3 | 6 x 3.5 x 4.5 | 25 | M3x3.5 | 15 | 20 | 1.3 |
| MR12ML-ZUE | 4.3 | 6 x 3.5 x 4.5 | 25 | M3x3.5 | 20 | 20 | 1.3 |
| MR15MN-ZUE | 4.3 | 6 x 3.5 x 4.5 | 40 | M3x5.5 | 20 | 25 | 1.8 |
| MR15ML-ZUE | 4.3 | 6 x 3.5 x 4.5 | 40 | M3x5.5 | 25 | 25 | 1.8 |