

## Wide MR-W Rail

Tapped from above.

Dimensions in mm.

Please note that blocks and rails are not sold separately for sizes 2 and 3. Due to the small dimensions, blocks and sliders must be assembled and matched carefully to ensure correct quality and tolerances.

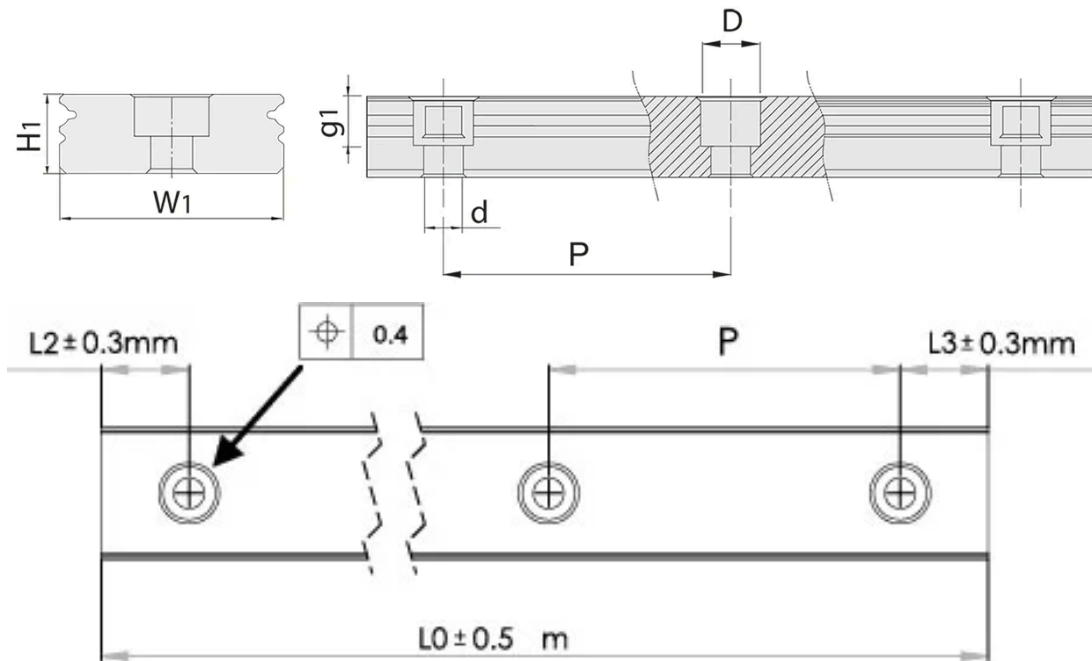
**Material:** Stainless steel



## General Data

Designation	Weight Rail (g/m)
MR2W	69
MR3W	105
MR5W	280
MR7W	516
MR9W	940
MR12W	1472
MR15W	2818

## Dimensions



Designation	H1	W1	D x d x g1	Hole Pitch (P)
MR2W	2.6	4	2.8 x 1.8 x 1.0	10
MR3W	2.7	6	4 x 2.4 x 1.5	15
MR5W	4	10	5.5 x 3 x 1.6	20
MR7W	5.2	14	6 x 3.5 x 3.5	30
MR9W	7.3	18	6 x 3.5 x 4.5	30
MR12W	8.5	24	8 x 4.5 x 4.5	40
MR15W	9.5	42	8 x 4.5 x 4.5	40