

Wide MRU-W Rail

Tapped from bottom.

Dimensions in mm.

Please note that blocks and rails are not sold separately for sizes 2 and 3. Due to the small dimensions, blocks and sliders must be assembled and matched carefully to ensure correct quality and tolerances.

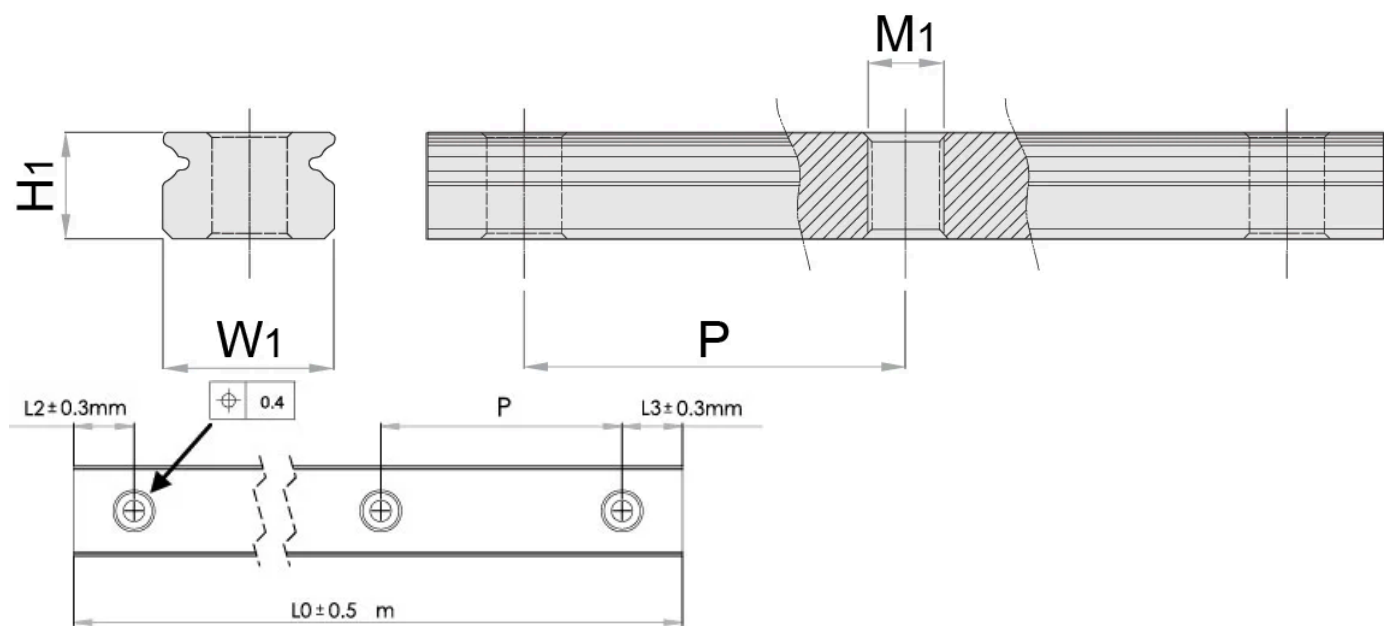
Material: Stainless steel



General Data

Designation	Weight Rail (g/m)
MRU3W	105
MRU5W	280
MRU7W	516
MRU9W	940
MRU12W	1472
MRU15W	2818

Dimensions



Designation	H1	W1	Hole Pitch (P)	M1
MRU3W	2.7	6	15	M3x0.5
MRU5W	4	10	20	M3x0.5
MRU7W	5.2	14	30	M4x0.7
MRU9W	7.3	18	30	M4x0.7
MRU12W	8.5	24	40	M5x0.8
MRU15W	9.5	42	40	M5x0.8