

## MF Container Self Lubricant

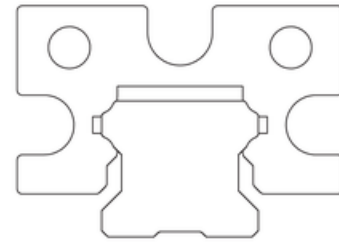
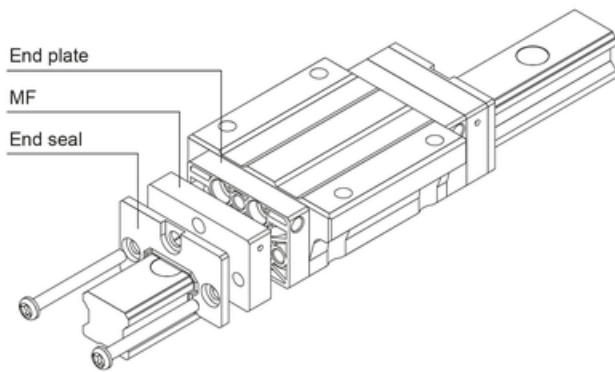
Self-lubricant container MF is an option suitable for situations where re-lubrication is difficult or impossible to achieve.

Option MF consist of a small container filled with grease impregnated felt. The felt provides a continuous oil film directly and only on the four raceways of the rail profile. This results in a very precise and long-lived lubrication in exactly the most effective spots.

If option MF is selected, the block will be delivered without grease nipple.

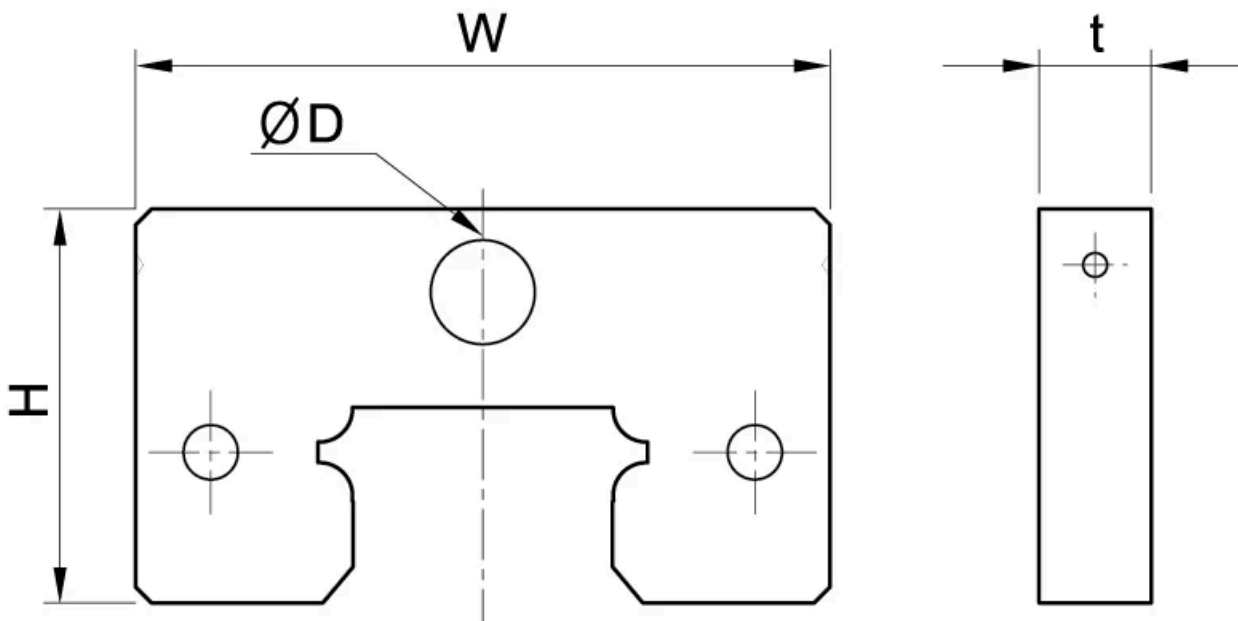
Dimensions in mm.





\* MF contact surfaces are tolerance match to the guiderail to ensure perfect sealing

## Dimensions



Designation	Block Type	W	t	H	D
SBI15-MFA	FL, FLL, HL, HLL, SL, SLL, FV, SV	33.4	7	20.2	4
SBI20-MFA	FL, FLL, SL, SLL	43.4	7	24.6	6.5
SBI20-MFB	CL, CLL, FV, SV	43.4	7	22.6	6.5
SBI25-MFA	FL, FLL, HL, HLL, SL, SLL	47	7	29.7	6.5
SBI25-MFB	CL, CLL, FV, SV	47	7	26.7	6.5
SBI30-MFA	FL, FLL, HL, HLL, SL, SLL	59	8	34.2	6.5
SBI35-MFA	FL, FLL, HL, HLL, SL, SLL	69	8	39.7	6.5
SBI45-MFA	FL, FLL, HL, HLL, SL, SLL	85	8	49.7	10.5
SBI55-MFA	FL, FLL, HL, HLL, SL, SLL	98	9	56	10.5
SBI65-MFA	FL, FLL, SL, SLL	123	9	69	10.5