

RCS Clamping Element

Clamping elements are designed to be used for holding a position when using SBI Linear Rail Guides.

For other types contact Rollco.

Compatible with Linear Rail SBI only.

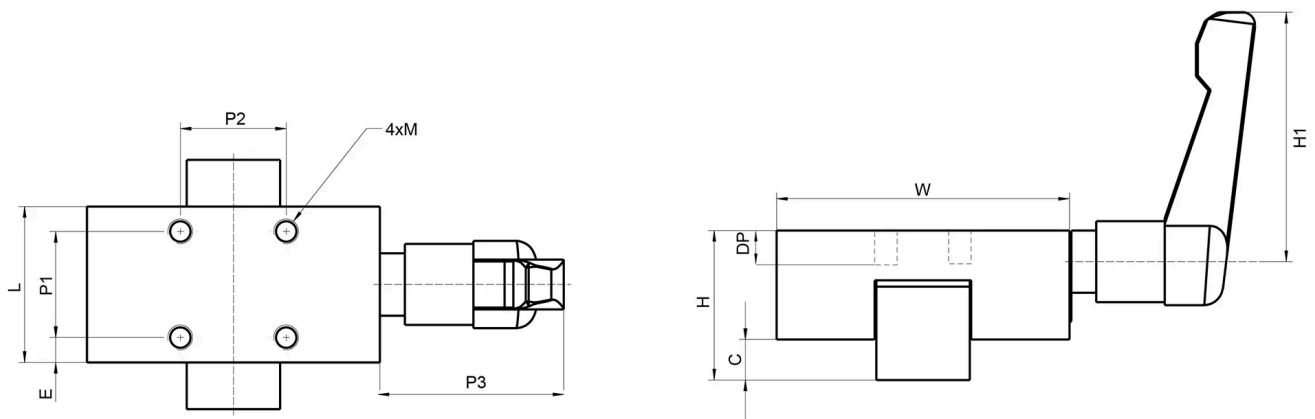
Dimensions in mm.



General Data

Designation	Compatible with	Remark	Tightening Torque (Nm)	Clamping Force (N)
RCS15	SBI15, SBI15-B	Use Distance Plate RCP15-4 for SBI15SL	5	1200
RCS20	SBI20, SBI20-B	Use Distance Plate RCP20-2 for SBI20FL, SBI20SL, SBI20FLL, SBI20SLL	5	1200
RCS25	SBI25, SBI25-B	Use Distance Plate RCP25-4 for SBI25SL, SBI25SLL	7	1200
RCS30	SBI30, SBI30-B	Use Distance Plate RCP30-3 for SBI30SL, SBI30SLL	15	2000
RCS35	SBI35, SBI35-B	Use Distance Plate RCP35-7 for SBI35SL, SBI35SLL	15	2000

Dimensions



Designation	C	E	H	H1	L	MxDP	P1	P2	P3
RCS15	6.5	4	24	45	25	M4x6	17	17	41
RCS20	7	4.5	30	45	24	M5x6	15	15	41
RCS25	7	5	36	64	30	M6x8	20	20	52
RCS30	9	8.5	42	64	39	M6x14	22	22	52
RCS35	13	7.5	48	83	39	M8x14	24	24	67

Designation	W
RCS15	47
RCS20	60
RCS25	70
RCS30	90
RCS35	100