

MKS Clamping Element

Pneumatic Clamping element, designed to be used for holding a position when using Linear Rail Guides. Energize to open (NC).

Compatible with Linear Rail SBI only.

The holding forces may be in-creased by means of a PLUS connection, provided that this is listed under the technical data, by using the pneumatic pressure support of the spring accumulator.



Because of the height difference of different rail guide blocks and to ensure the proper function of the MK Clamping Elements, the use of adapter plates is sometimes needed. See document "Clamping Elements & Accessories" for individual block types and whether an adapter plate is needed.

Dimensions in mm.

More types are available, contact Rollco for further information.

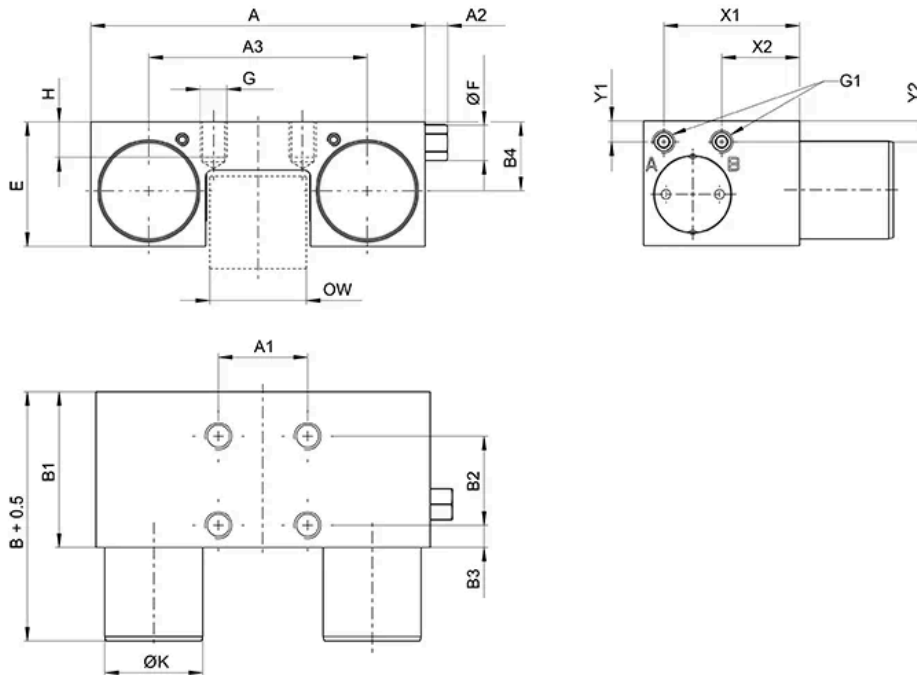
Temperature: From -10 to 70°C

General Data

Designation	Compatible with	Fixing force (N)	Min. operating pressure (bar)	Operating pressure (bar)	Max. Operating Pressure (bar)
MKS1501A	SBI15, SBI15-B	400	5.5	6	6.5
MKS2001A	SBI20, SBI20-B	600	5.5	6	6.5
MKS2501A	SBI25, SBI25-B	750	5.5	6	6.5
MKS3001A	SBI30, SBI30-B	1050	5.5	6	6.5
MKS3501A	SBI35, SBI35-B	1250	5.5	6	6.5
MKS4501A	SBI45, SBI45-B	1450	5.5	6	6.5
MKS5501A	SBI55, SBI55-B	1450	5.5	6	6.5
MKS6501A	SBI65, SBI65-B	1450	5.5	6	6.5

Designation	Installation way	PLUS-connection	Fixing force w. PLUS-connection (N)	Weight (kg)
MKS1501A	from above	possible	1300	0.25
MKS2001A	from above	possible	1300	0.34
MKS2501A	from above	possible	1400	0.40
MKS3001A	from above	possible	2600	0.68
MKS3501A	from above	possible	2200	0.80
MKS4501A	from above	possible	3300	1.50
MKS5501A	from above	possible	3300	1.80
MKS6501A	from above	possible	3300	2.60

Dimensions



Designation	OW	A	E	A1	A2	A3	B	B1	B2
MKS1501A	15	55	21.5	15	5	34	58	39	15
MKS2001A	20	66	25.5	20	6	43	61	39	20
MKS2501A	23	75	28	20	5	49	56	35	20
MKS3001A	28	90	35	22	5	58	68	39	22
MKS3501A	34	100	36.5	24	5	68	67	39	24
MKS4501A	45	120	43.5	26	5	78.8	82	49	26
MKS5501A	53	128	48.5	30	5	87	82	49	30
MKS6501A	63	138	63	30	5	96.8	82	49	30

Designation	B3	B4	G	H	F	G1 (air connection)	X1 (air filter horizontal / mm)	Y1 (air filter vertical / mm)	X2 (air connection horizontal / mm)	Y2 (air connection vertical / mm)
MKS1501A	15.5	12	M4	4.5	8	M5	34	17	34	6.1
MKS2001A	5	14.4	M5	5.5	8	M5	34	6	17.1	6
MKS2501A	5	15.5	M6	8	8	M5	30.5	4.7	17.5	4.7
MKS3001A	8.5	20.5	M8	10	8	M5	24.5	5.2	14.5	5.2
MKS3501A	7.5	20.5	M8	10	8	M5	20	5.5	9	5.2
MKS4501A	11.5	26.8	M10	15	8	M5	29.5	11	19.5	11
MKS5501A	9.5	30.5	M10	18	8	M5	29.5	14.5	19.5	14.5
MKS6501A	9.5	46	M10	15	8	M5	37	32	20	30

Designation	K
MKS1501A	16
MKS2001A	20
MKS2501A	22
MKS3001A	25
MKS3501A	28
MKS4501A	30
MKS5501A	30
MKS6501A	30