

HRC Rail

Counterbore from above.
Cut to length acc. to request.
Rails can be joint together for extra long lengths.
Contact Rollco for more information.

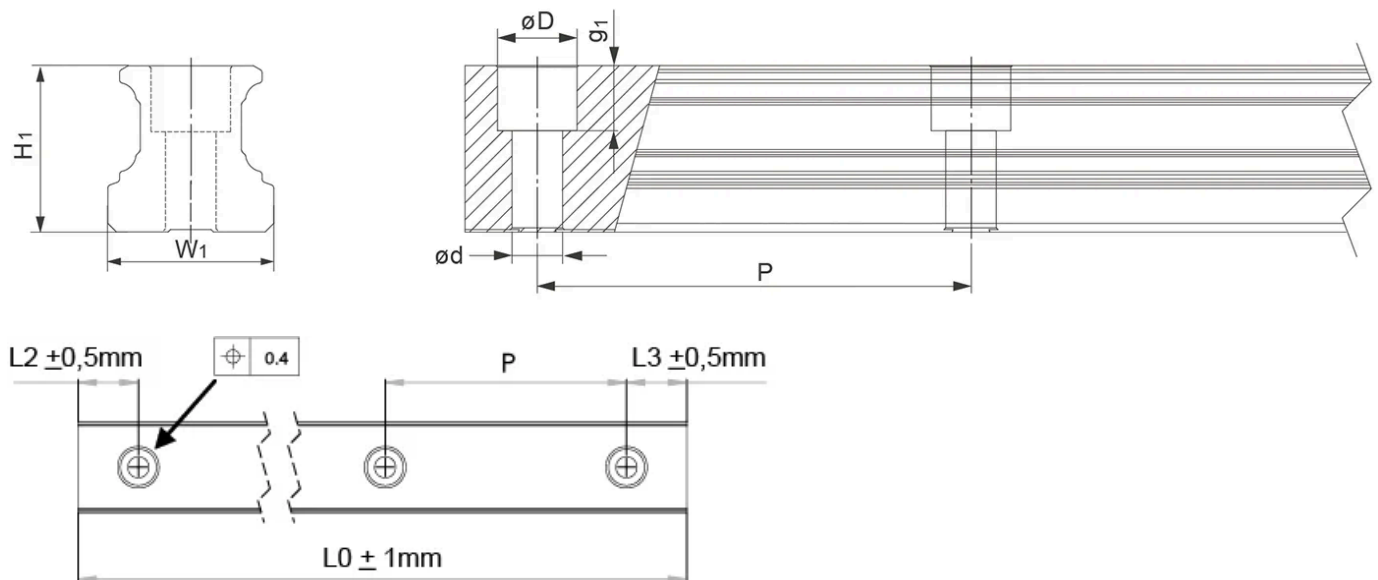
Dimensions in mm.



General Data

Designation	Length (mm)	Weight Rail (g/m)
HRC15	4000	1290
HRC20	4000	2280
HRC25	4000	3020
HRC30	4000	4380
HRC35	4000	6790
HRC45	4000	10530
HRC55	4000	14000

Dimensions



Designation	H1	W1	D x d x g1	Hole Pitch (P)
HRC15	15	15	7.5 x 4.5 x 5.3	60
HRC20	20	20	9.5 x 6 x 8.5	60
HRC25	23	23	11 x 7 x 9	60
HRC30	27	28	14 x 9 x 12	80
HRC35	32	34	14 x 9 x 12	80
HRC45	39	45	20 x 14 x 17	105
HRC55	45.7	53	24 x 16 x 20	120