

Narrow Block Type SL

Long narrow block. Available in different accuracy classes and preload options.

Very high load capacity, stiffness and precision.

Dimensions in mm. (According to the DIN 645/I standards.)

Lead time/availability in the table below are only indications. Choice of preload and accuracy class will affect lead time. Please contact us for exact delivery time for your request.

Higher accelerations and speeds than listed below are possible according to preload, load, lubrication and assembly position values. In these cases, please contact us for advice.

Max. Operating Speed (m/s): 3

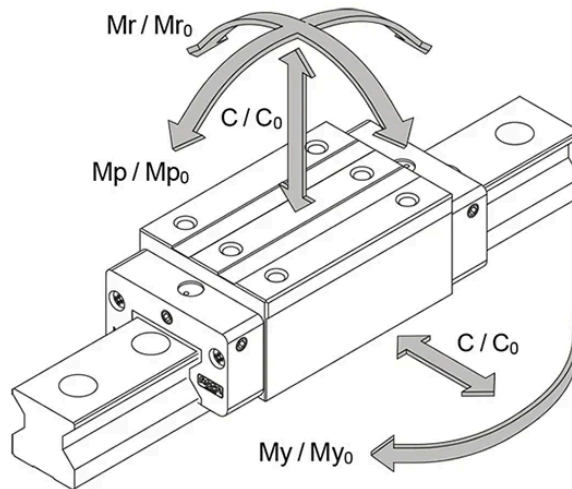
Max. Acceleration (m/s²): 50

Temperature range (°C): -10 °C to +80

Material: Hardened alloy steel blocks with rollers of hardened bearing steel. Plastic parts.



General Data

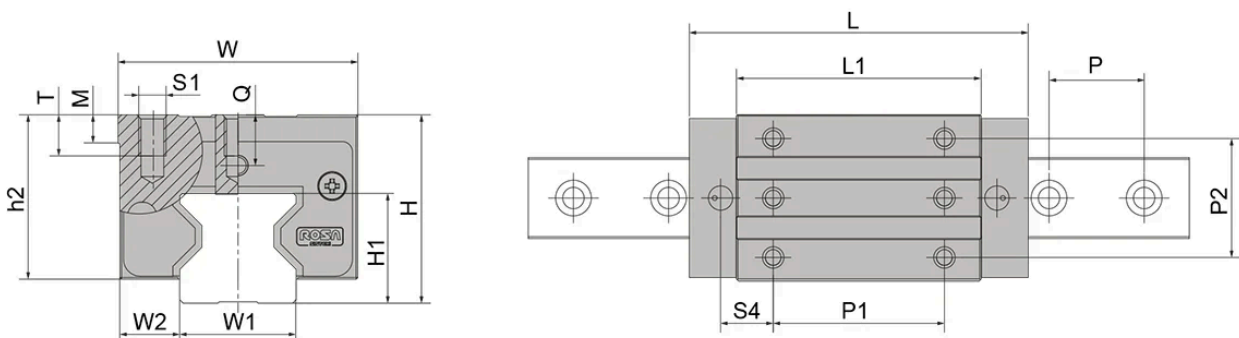


| Designation | Dynamic Load Capacity C (N) | Static Load Capacity C0 (N) | Static Moment Mr0 (Nm) | Static Moment Mp0 (Nm) | Static Moment My0 (Nm) |
|-------------|-----------------------------|-----------------------------|------------------------|------------------------|------------------------|
| RMG25SL | 38900 | 76800 | 1150 | 970 | 970 |
| RMG35SL | 72600 | 136000 | 3014 | 2243 | 2243 |
| RMG45SL | 119500 | 242200 | 6672 | 4951 | 4951 |
| RMG55SL | 176000 | 351000 | 11915 | 8910 | 8910 |
| RMG65SL | 276000 | 579000 | 22100 | 11840 | 11840 |

| Designation | Dynamic Moment Mr (Nm) | Dynamic Moment Mp (Nm) | Dynamic Moment My (Nm) |
|-------------|------------------------|------------------------|------------------------|
| RMG25SL | 583 | 491 | 491 |
| RMG35SL | 1595 | 1187 | 1187 |
| RMG45SL | 3293 | 2444 | 2444 |
| RMG55SL | 5977 | 4470 | 4470 |
| RMG65SL | 10530 | 8980 | 8980 |

Dimensions

Block type SL



| Designation | L | H | W | L1 | H1 | h2 | W1 | W2 | S1 |
|-------------|-------|----|----|------|------|------|----|------|----|
| RMG25SL | 109.7 | 40 | 48 | 81.5 | 24.5 | 33.5 | 23 | 12.5 | M6 |

| Designation | L | H | W | L1 | H1 | h2 | W1 | W2 | S1 |
|-------------|-------|----|-----|-------|----|----|----|------|-----|
| RMG35SL | 142.3 | 55 | 70 | 103 | 32 | 48 | 34 | 18 | M8 |
| RMG45SL | 179.8 | 70 | 86 | 133.8 | 40 | 60 | 45 | 20.5 | M10 |
| RMG55SL | 215 | 80 | 100 | 162 | 48 | 67 | 53 | 23.5 | M12 |
| RMG65SL | 272.3 | 90 | 126 | 210.3 | 55 | 78 | 63 | 31.5 | M16 |

| Designation | S4 | Q | T | Hole Pitch (P) | P1 | P2 | M |
|-------------|------|------|----|----------------|-----|----|------|
| RMG25SL | 21.2 | 9.5 | 9 | 30 | 50 | 35 | 7.5 |
| RMG35SL | 22 | 14.9 | 12 | 40 | 72 | 50 | 8 |
| RMG45SL | 33.9 | 18 | 18 | 52.5 | 80 | 60 | 10 |
| RMG55SL | 42.5 | 19.8 | 19 | 60 | 95 | 75 | 12 |
| RMG65SL | 57 | 15 | 22 | 75 | 120 | 76 | 15.5 |