

Rollers for Solid Version

CONCENTRIC ROLLER

RSBN: Standard bearing steel

RXBN: Stainless bearing steel (AISI-440C)

ECCENTRIC ROLLER

RSBA: Standard bearing steel

RXBA: Stainless bearing steel (AISI-440C)

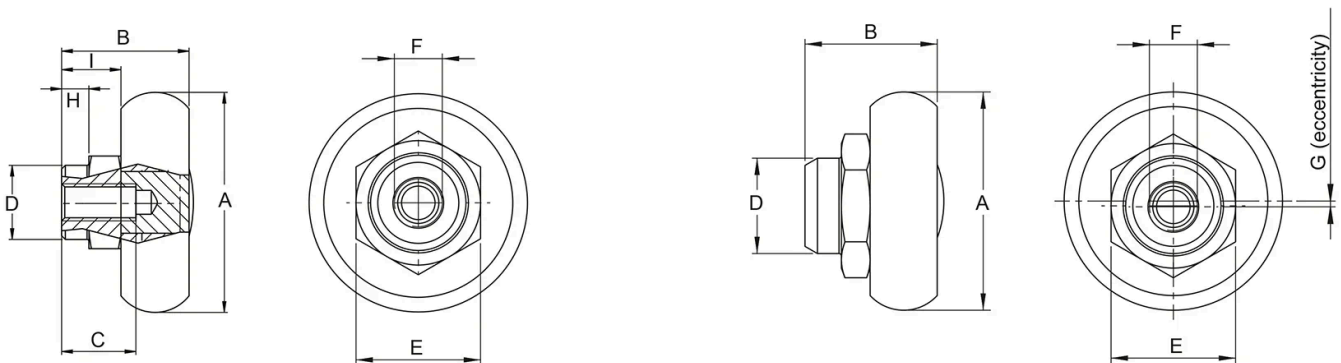
Standard slider is with 3 rollers. The rollers can also be mounted directly into your application or we can make special sliders according to your need. Please contact Rollco for more information.



General Data

Designation	Weight (kg)
RSBN20-2Z	0.006
RXBN20-2RS	0.006
RSBA20-2Z	0.006
RXBA20-2RS	0.006
RSBN30-2Z	0.022
RXBN30-2RS	0.022
RSBA30-2Z	0.022
RXBA30-2RS	0.022
RSBN45-2Z	0.07
RXBN45-2RS	0.07
RSBA45-2Z	0.07
RXBA45-2RS	0.07

Dimensions



Designation	A	B	C	D	E	F	G	H	I
RSBN20-2Z	14 +0/-0.04	8.7	6	6 -0.02/-0.08	8	M4	-	1.8	4.7
RXBN20-2RS	14 +0/-0.04	8.7	6	6 -0.02/-0.08	8	M4	-	1.8	4.7
RSBA20-2Z	14 +0/-0.04	8.7	6	6 -0.02/-0.08	8	M4	0.5	1.8	4.7
RXBA20-2RS	14 +0/-0.04	8.7	6	6 -0.02/-0.08	8	M4	0.5	1.8	4.7
RSBN30-2Z	22.8 +0/-0.05	13.8	7	10 -0.04/-0.10	13	M5	-	3.8	6.8
RXBN30-2RS	22.8 +0/-0.05	13.8	7	10 -0.04/-0.10	13	M5	-	3.8	6.8
RSBA30-2Z	22.8 +0/-0.05	13.8	7	10 -0.04/-0.10	13	M5	0.6	3.8	6.8
RXBA30-2RS	22.8 +0/-0.05	13.8	7	10 -0.04/-0.10	13	M5	0.6	3.8	6.8
RSBN45-2Z	35.6 +0/-0.06	20.6	12	12 -0.04/-0.10	15	M6	-	4.5	9.6
RXBN45-2RS	35.6 +0/-0.06	20.6	12	12 -0.04/-0.10	15	M6	-	4.5	9.6
RSBA45-2Z	35.6 +0/-0.06	20.6	12	12 -0.04/-0.10	15	M6	0.8	4.5	9.6
RXBA45-2RS	35.6 +0/-0.06	20.6	12	12 -0.04/-0.10	15	M6	0.8	4.5	9.6