

IP---.0800

- Higher wear resistance
- Fine grained structure
- Easy to weld

Versions of delivery:

Standard IP---.0800

Fine straightened style $\pm 0,3$ mm/m IP---.0801

Sandblasted IP---.0802

Sandblasted + fine straightened style IP---.0803

Ordering example: IP 070.0800-2800 (I-Profile with inside measurement 70 mm, length 2800 mm)

Dimensions in mm.

Material: Material 18MnNb 6 with plenty more load capacity by add-on of Niob (Nb)

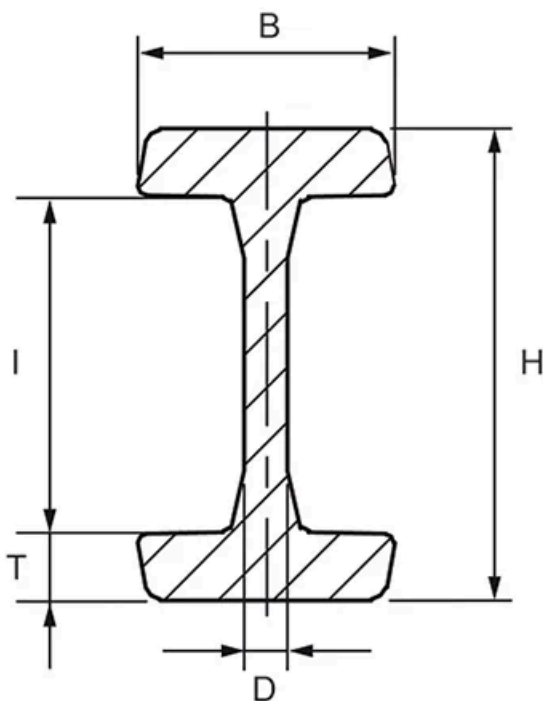
Sizes Available: 60; 70; 80; 90; 110; 120



General Data

Designation	Weight (kg/m)
IP060.0800	21.00
IP070.0800	19.40
IP080.0800	25.30
IP090.0800	34.00
IP110.0800	40.80
IP120.0800	51.50

Dimensions



Designation	B	D	H	I	T
IP060.0800	72 ±1	14 ±0.5	86.5	62.7 +0.8	12 ±0.5
IP070.0800	65 ±1	9 ±0.5	98	70 +1	14 ±0.5
IP080.0800	66 ±1	11 ±0.5	113.9	77.9 +1	18 ±0.5
IP090.0800	81 ±1.25	12 ±0.5	129.6	88.6 +1	20.5 ±0.5
IP110.0800	83 ±1	14 ±0.5	152.4	108.4 ±0.5	22 ±0.5
IP120.0800	90 ±1.3	15 ±0.5	175 ±0.5	123.8 ±0.5	25.6 ±0.5