

KBA...UU

Dimensions in mm.

Other types available on request.

NOTE: Linear Units can also be supplied with self-aligning SBE-Bushing (KBE...UU) or stainless LMES-Bushing (KBS..UU).

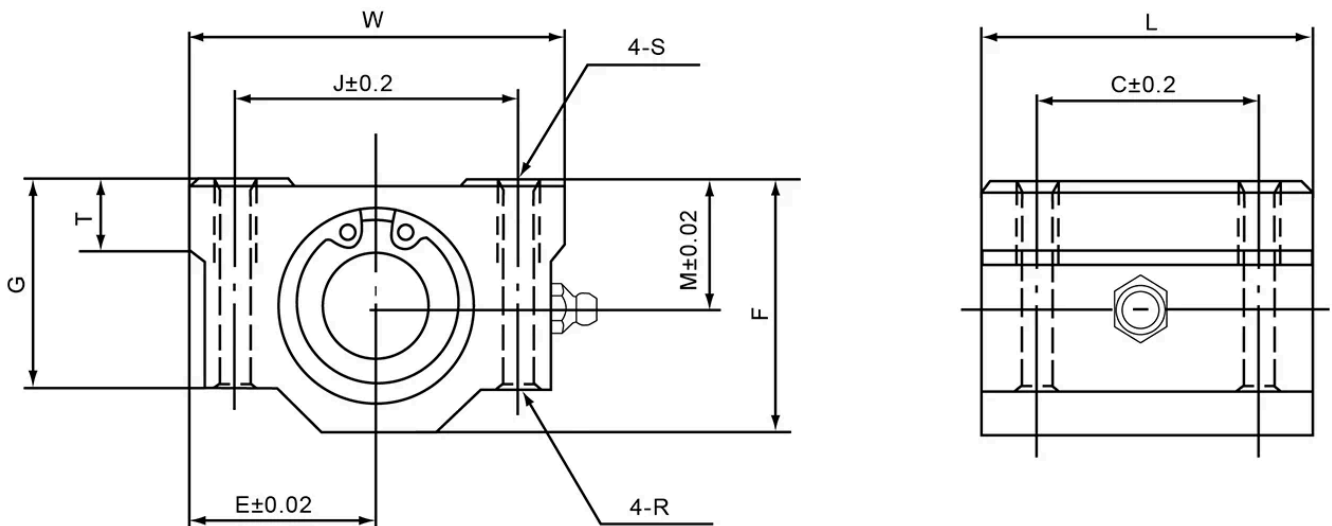
Material: Aluminium 6063 + 100Cr6



General Data

| Designation | Dynamic Load Capacity (N) | Static Load Capacity (N) |
|-------------|---------------------------|--------------------------|
| KBA12UU | 520 | 740 |
| KBA16UU | 590 | 910 |
| KBA20UU | 880 | 1400 |
| KBA25UU | 1000 | 1600 |
| KBA30UU | 1600 | 2800 |
| KBA40UU | 2200 | 4000 |
| KBA50UU | 3900 | 8100 |

Dimensions



| Designation | L | W | C | E | F | G | J | M | R |
|-------------|-----|-----|----|----|------|------|-----|----|-----|
| KBA12UU | 39 | 44 | 26 | 22 | 30 | 24.5 | 33 | 15 | 4.3 |
| KBA16UU | 44 | 50 | 34 | 25 | 38.5 | 32.5 | 36 | 19 | 4.3 |
| KBA20UU | 53 | 54 | 40 | 27 | 41 | 35 | 40 | 21 | 5.2 |
| KBA25UU | 67 | 76 | 50 | 38 | 51.5 | 42 | 54 | 26 | 7 |
| KBA30UU | 76 | 78 | 58 | 39 | 59.5 | 49 | 58 | 30 | 7 |
| KBA40UU | 90 | 102 | 60 | 51 | 78 | 62 | 80 | 40 | 8.7 |
| KBA50UU | 110 | 122 | 80 | 61 | 102 | 80 | 100 | 52 | 8.7 |

| Designation | S | T | Inscribed Circle Diameter |
|-------------|-----|----|---------------------------|
| KBA12UU | M5 | 8 | 12 |
| KBA16UU | M5 | 9 | 16 |
| KBA20UU | M6 | 11 | 20 |
| KBA25UU | M8 | 12 | 25 |
| KBA30UU | M8 | 15 | 30 |
| KBA40UU | M10 | 20 | 40 |
| KBA50UU | M10 | 25 | 50 |