

## LMEK...UU

Dimensions in mm.  
Other types available on request.

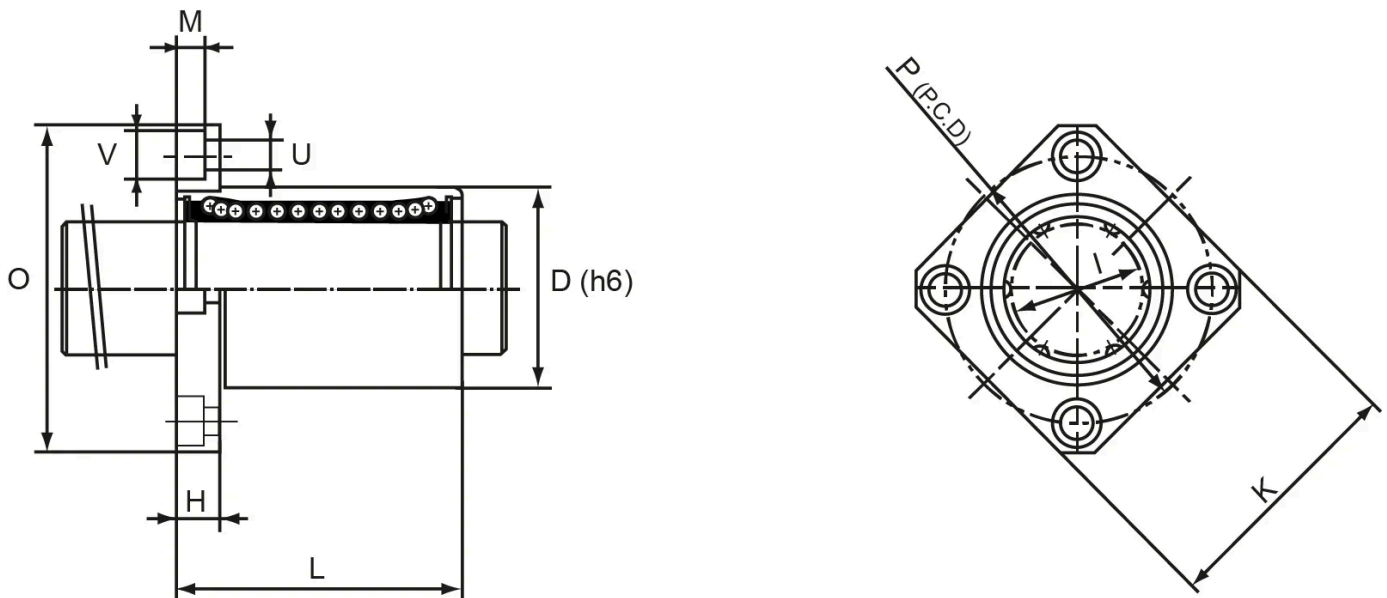
**Material:** 100Cr6



## General Data

Designation	Dynamic Load Capacity (N)	Static Load Capacity (N)	Number Of Ball Rows
LMEK8UU	270	410	4
LMEK12UU	520	790	4
LMEK16UU	590	910	5
LMEK20UU	880	1400	5
LMEK25UU	1000	1600	6
LMEK30UU	1600	2800	6
LMEK40UU	2200	4100	6
LMEK50UU	3900	8100	6
LMEK60UU	4800	10000	6

## Dimensions



Designation	I	D	L	O	H	K	M	P	U
LMEK8UU	8	16	25	32	5	25	3.1	24	3.5
LMEK12UU	12	22	32	42	6	32	4.4	32	4.5
LMEK16UU	16	26	36	46	6	35	4.4	36	4.5
LMEK20UU	20	32	45	54	8	42	5.4	43	5.5
LMEK25UU	25	40	58	62	8	50	5.4	51	5.5
LMEK30UU	30	47	68	76	10	60	6.5	62	6.6
LMEK40UU	40	62	80	98	13	75	8	80	9
LMEK50UU	50	75	100	112	13	88	8.1	94	9
LMEK60UU	60	90	125	134	18	106	10.8	112	11

Designation	V
LMEK8UU	6
LMEK12UU	7.5
LMEK16UU	7.5
LMEK20UU	9

Designation	V
LMEK25UU	9
LMEK30UU	11
LMEK40UU	14
LMEK50UU	14
LMEK60UU	17.5