

WRA

Dimensions in mm.

Reduction of load rating for linear ball bearing because of less hardness.

Other types available on request.

Material: X90CrMoV18 / 1.4112.

Surface hardness: 54 HRC min. Hardening depth according to DIN ISO 18203.

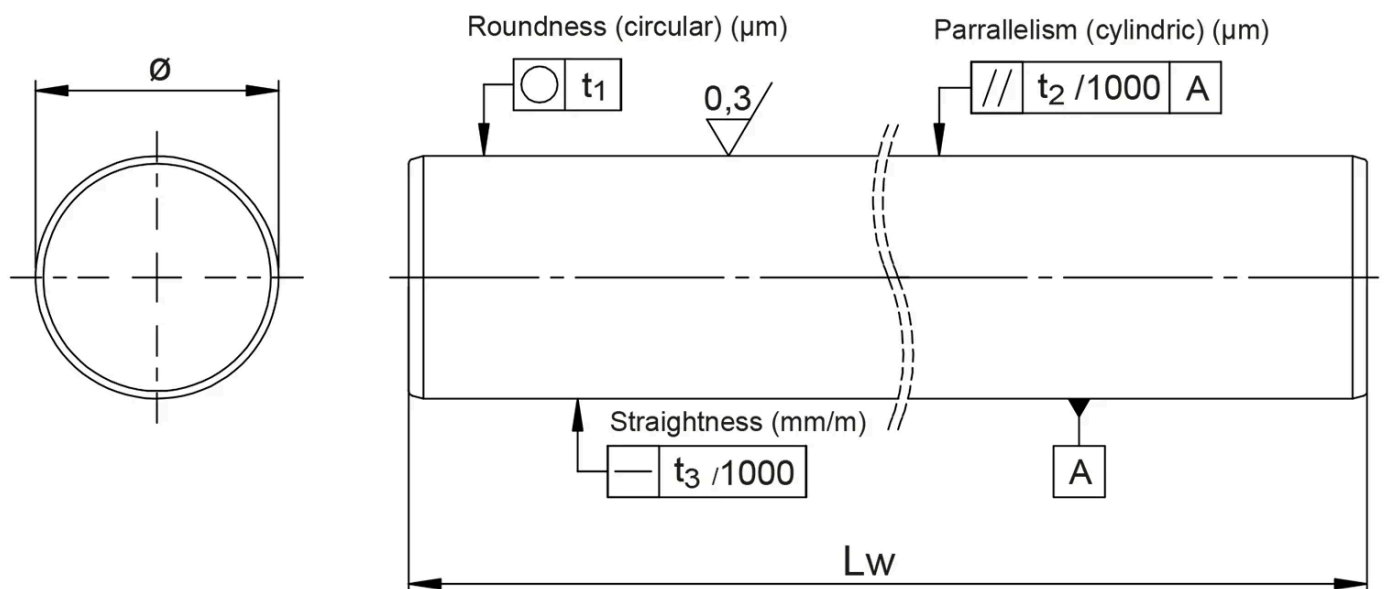
Standard Tolerance: ISO h6



General Data

Designation	Weight (kg/m)
WRA8	0.39
WRA10	0.62
WRA12	0.89
WRA14	1.21
WRA16	1.58
WRA20	2.47
WRA25	3.85
WRA30	5.55
WRA40	9.86
WRA50	15.41

Dimensions



Designation	Lw (mm)	Diameter	Hardening Depth (mm)	Roundness t1 (μ m)	Parallelism t2 (μ m)	Straightness t3 (mm/m)
WRA8	6000	8	0.4	4	6	0.3
WRA10	6000	10	0.4	4	6	0.3
WRA12	6000	12	0.6	5	8	0.3
WRA14	6000	14	0.6	5	8	0.3
WRA16	6000	16	0.6	5	8	0.2
WRA20	6000	20	0.9	6	9	0.2
WRA25	6000	25	0.9	6	9	0.2
WRA30	6000	30	0.9	6	9	0.2
WRA40	6000	40	1.5	7	11	0.2
WRA50	6000	50	1.5	7	11	0.2