

SK

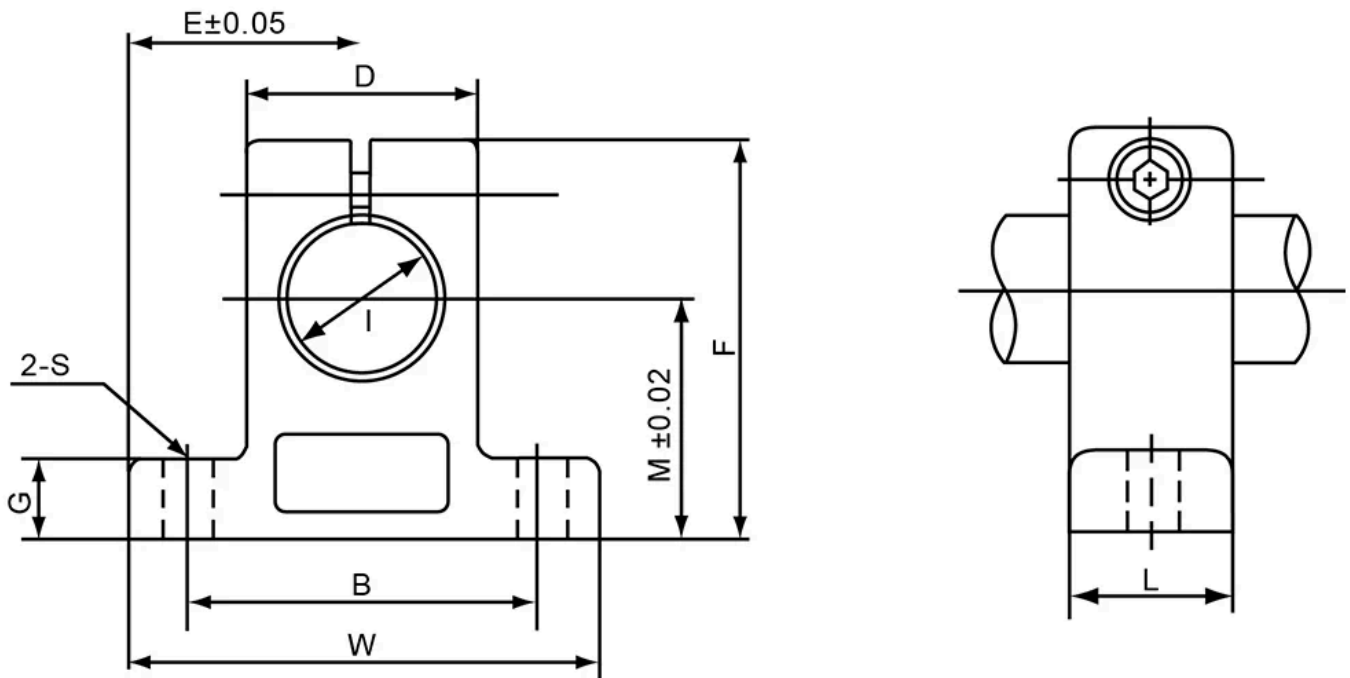
Material: Aluminium



General Data

Designation	Weight (kg)
SK12A	0.03
SK16A	0.04
SK20A	0.07
SK25A	0.13
SK30A	0.18
SK40A	0.42
SK50A	0.75

Dimensions



Designation	I	D	L	W	B	E	F	G	M
SK12A	12	20	14	42	32	21	38	6	23
SK16A	16	25	16	48	38	24	44	8	27
SK20A	20	30	20	60	45	30	51	10	31
SK25A	25	38	24	70	56	35	60	12	35
SK30A	30	44	28	84	64	42	70	12	42
SK40A	40	60	36	114	90	57	96	15	60
SK50A	50	74	40	126	100	63	120	18	70

Designation	S
SK12A	5.5
SK16A	5.5
SK20A	6.6
SK25A	6.6
SK30A	9
SK40A	11

Designation	S
SK50A	14