

## SHF

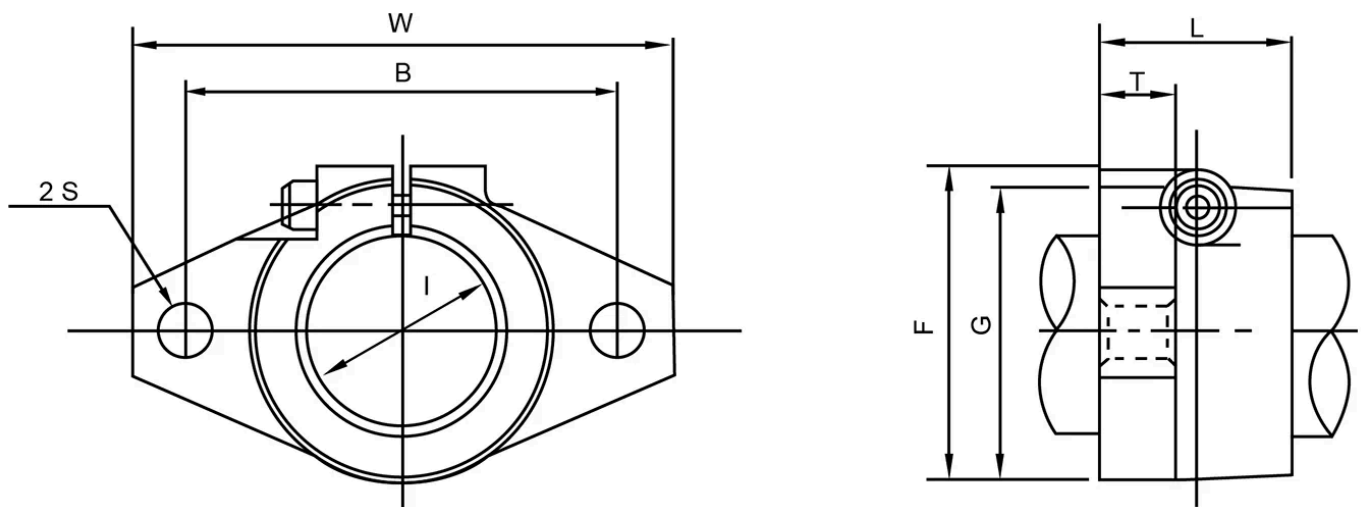
**Material:** Aluminium



## General Data

Designation	Weight (kg)
SHF12	0.02
SHF16	0.027
SHF20	0.04
SHF25	0.06
SHF30	0.11
SHF40	0.51

## Dimensions



Designation	I	L	W	B	F	G	S	T
SHF12	12	13	47	36	28	25	5.5	7
SHF16	16	16	50	40	31	28	5.5	8
SHF20	20	20	60	48	37	34	7	8
SHF25	25	25	70	56	42	40	7	10
SHF30	30	30	80	64	50	46	9	12
SHF40	40	40	102	80	67	56	12	16