

FTSU

Aluminium with mounting holes.

Standard section length $L = 4000$ mm. Lengths other than standard ($L_{max} = 4000$ mm) are also available on request.

Support rails can be supplied upon request, with or without mounting holes. No anodizing in holes.

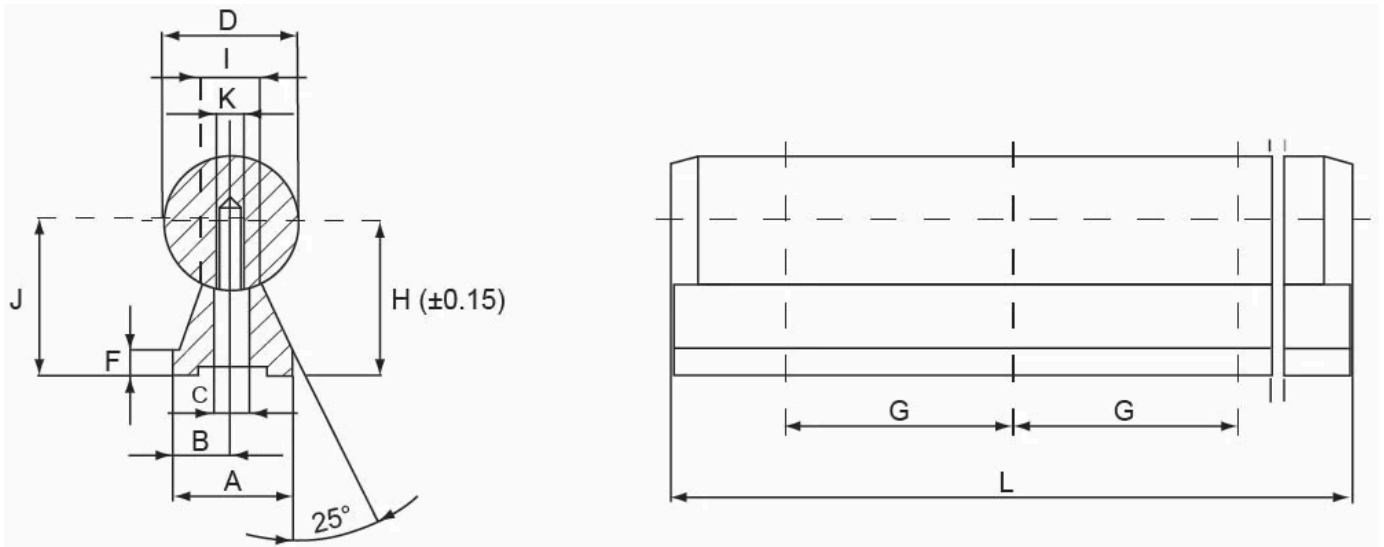
Dimensions in mm.

Note: The shaft is not included, please order separately.

Material: Aluminium



Dimensions



Designation	Remark	G	A	B	H	D	K	F	C
FTSU16G	Standard section length L = 4000 mm	100	14	7	18	16	M5	3	5.5
FTSU20G	Standard section length L = 4000 mm	100	17	8.5	22	20	M6	3	6.6
FTSU25G	Standard section length L = 4000 mm	120	21	10.5	26	25	M8	3	9
FTSU30G	Standard section length L = 4000 mm	150	23	11.5	30	30	M10	3	11
FTSU40G	Standard section length L = 4000 mm	200	40	15	39	40	M10	4	13.5

Designation	I	J
FTSU16G	7	19
FTSU20G	8.1	23
FTSU25G	10.3	28.5
FTSU30G	11	32
FTSU40G	15	39.5