

WH

Dimensions in mm.

Other types available on request.

Contact us for CAD-files.

Material: Quenched and tempered steel C60 / 1.1221

Surface hardness: 59 HRC min. Hardening depth according to DIN ISO 18203.

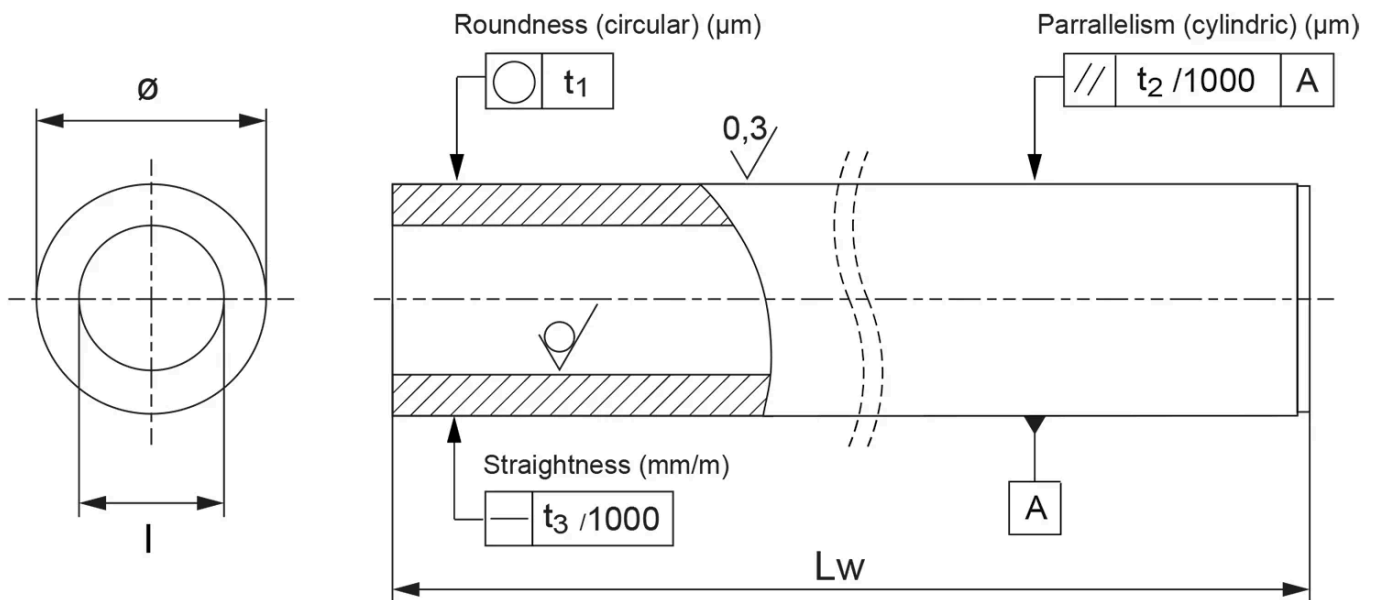
Standard Tolerance: ISO h6



General Data

Designation	Weight (kg/m)
WH12	0.79
WH16	1.28
WH20	1.25
WH25	2.35
WH30	3.5
WH40	4.99
WH50	9.91

Dimensions



Designation	L_w (mm)	Diameter	Inner Diameter	Hardening Depth (mm)	Roundness t_1 (μm)	Parallelism t_2 (μm)	Straightness t_3 (mm/m)
WH12	6000	12	4	0.6	8	8	0.3
WH16	6000	16	7	0.6	8	8	0.3
WH20	6000	20	14	0.9	9	9	0.3
WH25	6000	25	15.6	0.9	9	9	0.3
WH30	6000	30	18.3	0.9	9	9	0.3
WH40	6000	40	28	1.5	11	11	0.3
WH50	6000	50	29.7	1.5	11	11	0.2