

Linear Unit MRJ 65

The MRJ linear units have toothed belt drive and compact dimensions to provide high performance features such as high speed and good accuracy. For very high speeds, up to 10 m/s, the track rollers (journal bearings) of the type MRJ are particularly suitable.

The unit MRJ have a pre-tensioned steel reinforced AT polyurethane timing toothed belt. In conjunction with a zero-backlash drive pulley high moments with alternating loads with good positioning accuracy, low wear and low noise can be realized.

All parts in the profile are protected from dust and other contaminations. As corrosion-resistant protection strip is available as option.

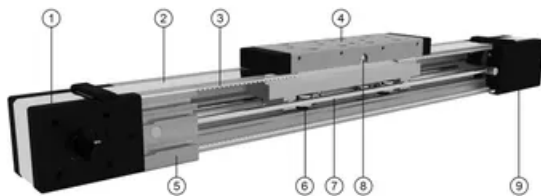
Modulus of Elasticity: $E = 70000 \text{ N / mm}^2$

Operating Temperature (°C): 0 ~ +60 For operating temperature out of the presented range, please contact Rollco.

Duty Cycle: 100%

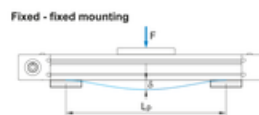
Max. Acceleration (m/s²): 50 (Optional, acceleration up to 70 m/s² possible if used without INOX seal strip)

Max. Travel Speed (m/s): 1.5 (Optional, travel speed up to 10 m/s possible if used without INOX seal strip)

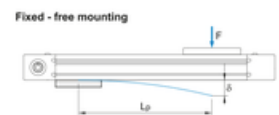


1. Drive block with pulley
2. Corrosion-resistant protection strip (available also without protection strip)
3. AT polyurethane toothed belt with steel tension cords
4. Carriage with built in magnets
5. Aluminium profile-hard anodized
6. Track roller (journal bearing)
7. Two hardened steel round guide (58/60 HRC)
8. Central lubrication port, both sides
9. Tension end with integrated belt tensioning system

Deflection of the linear unit



δ Maximum deflection of the linear unit [mm]
 δ_{max} Maximum permissible deflection of the linear unit [mm]
 F Applied force [N]
 L_p Unsupported profile length [mm]

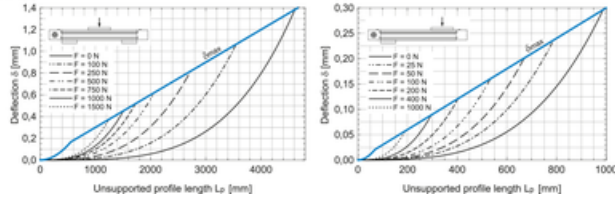


The maximum permissible deflection (δ_{max}) must not be exceeded. In the case that maximum deflection δ exceeds the maximum permissible deflection (δ_{max}) additional profile supports are needed.

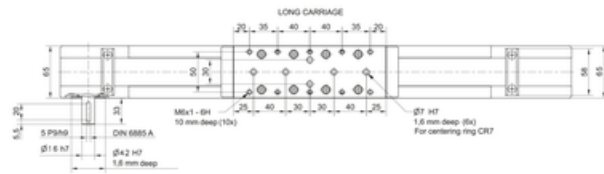
Linear Unit MRJ 65

Deflection of the linear unit

MRJ 65

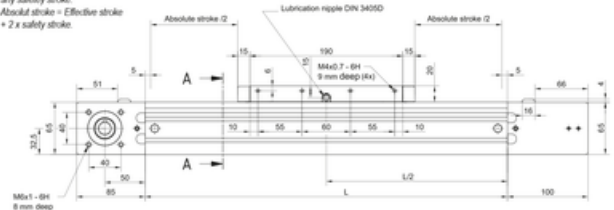


① The linear units do not include any safety stroke.
 Absolute stroke = Effective stroke
 + 2 x safety stroke.



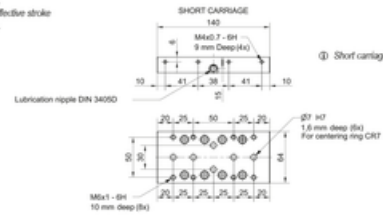
① Journal with or without keyway ① All dimensions in mm. Drawings scales are not equal

① The linear units do not include any safety stroke.
 Absolute stroke = Effective stroke
 + 2 x safety stroke.



① Journal with or without keyway ① All dimensions in mm. Drawings scales are not equal

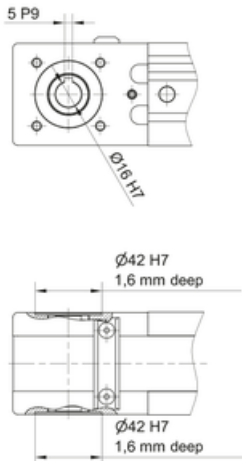
① The linear units do not include any safety stroke.
 Absolute stroke = Effective stroke
 + 2 x safety stroke.



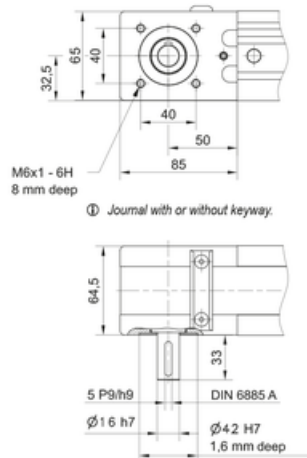
① Short carriage only for MRJ series

① Journal with or without keyway ① All dimensions in mm. Drawings scales are not equal

TYPE 0

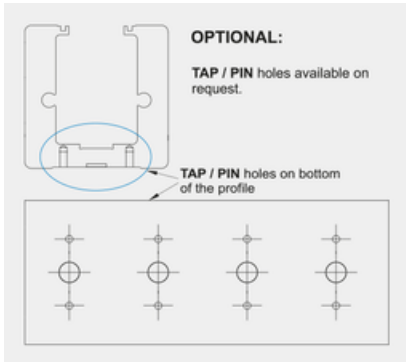
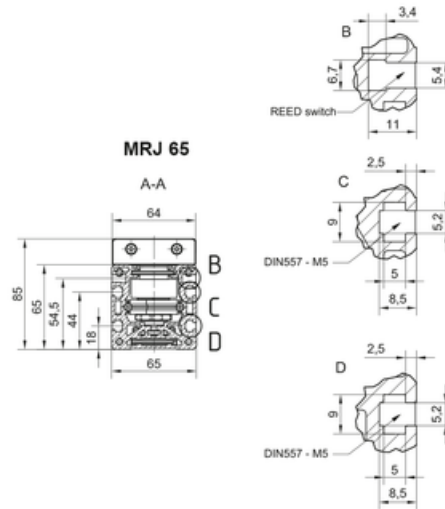
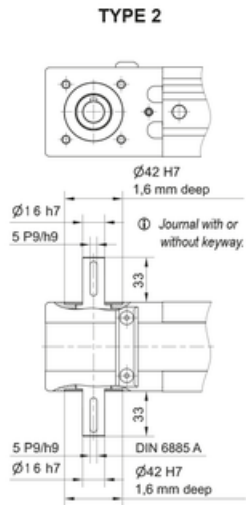


TYPE 1 L and 1 R



① Journal with or without keyway.

Linear Unit MRJ 65



Defining of the linear unit length

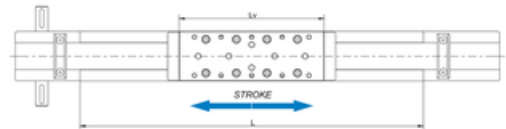
$L = \text{Effective stroke} + 2 \times \text{Safety stroke} + L_v + 40\text{ mm}$

$L_v - \text{Long carriage} = 190\text{ mm}$

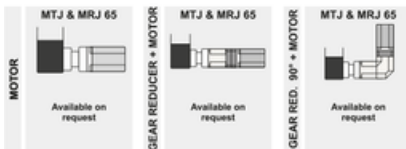
$L_{\text{total}} = L + 185\text{ mm}$

$L_v - \text{Short carriage} = 140\text{ mm}$

Left side (L)

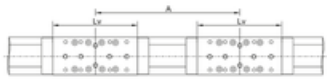


Right side (R)



Linear Unit MRJ 65

Double-Carriage

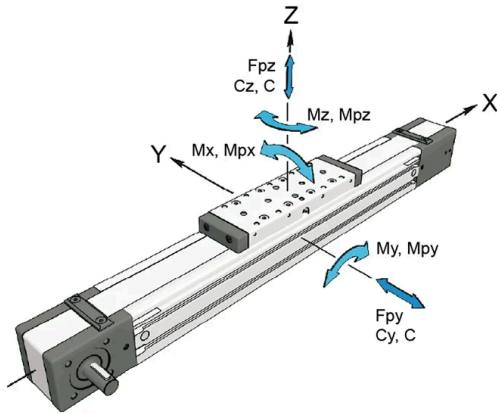


$$L = \text{Effective stroke} + 2 \times \text{Safety stroke} + Lv + A + 40 \text{ mm}$$

$$L_{\text{total}} = L + 185 \text{ mm}$$

$$A \geq Lv + 30 \text{ mm}$$

General data



For lengths/stroke over the stated value in the table, please contact Rollco. Values for max. stroke are not valid for double carriage (equation of defining the linear unit length for particular size of the linear unit needs to be used).

For minimum stroke below the stated value in the table, please contact Rollco.

Recommended values of loads

All the data of static and dynamic moments and load capacities stated in the table are theoretical without considering any safety factor. The safety factor depends on the application and its requested safety. We recommend a minimum safety factor ($f_s = 5.0$).

Modulus of elasticity

$E = 70000 \text{ N / mm}^2$

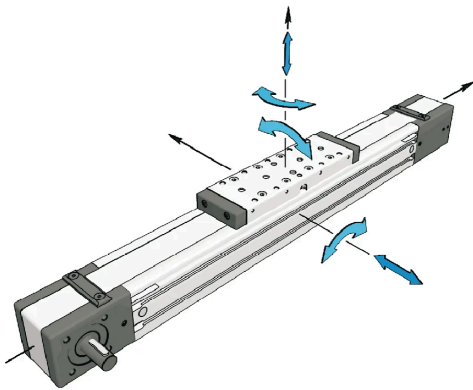
Designation	Carriage Length Lv (mm)	Load Capacity Cy (N)	Load Capacity Cz (N)	Dynamic Moment Mx (Nm)	Dynamic Moment My (Nm)
MRJ 65 L	190	8600	4400	74	186

Designation	Dynamic Moment Mz (Nm)	Dynamic Load Capacity C (N)	Static Load Capacity C0 (N)	Max. Permissible Loads Forces Fpy (N)	Max. Permissible Loads Forces Fpz (N)	Max. Permissible Loads Moments Mpx (Nm)
MRJ 65 L	425	8600	4400	1920	1470	25

Designation	Max. Permissible Loads Moments Mpy (Nm)	Max. Permissible Loads Moments Mpz (Nm)	Moved Mass (kg)	Max. Repeatability (mm)	Max. Length Lmax (mm)	Max. Stroke (mm)
MRJ 65 L	62	95	1.31	± 0.08	6000	5770

Designation	Min. Stroke (mm)
MRJ 65 L	0

General data double carriage



A - Distance between carriages.

Max. travel speed and max. acceleration of linear unit with the corrosion-resistant protection strip is 1,5 m/s and 50 m/s² respectively.

The stated values are for strokes up to 500 mm. No load torque value increases with stroke elongation.

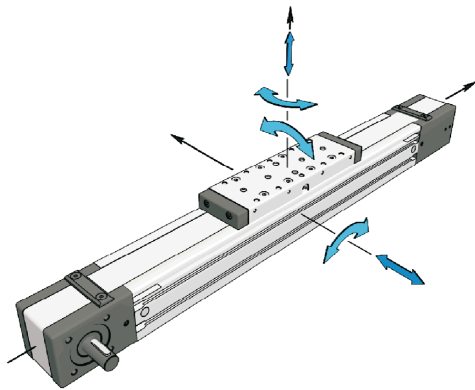
Max. acceleration (m/s²): 70

For acceleration over the stated value, please contact Rollco.

Designation	Carriage version	Load Capacity Cy (N)	Load Capacity Cz (N)	Dynamic Moment Mx (Nm)	Dynamic Moment My (Nm)
MRJ 65 L	L2	17200	8800	148	4.4 × A (mm)

Designation	Dynamic Moment Mz (Nm)	Max. Permissible Loads Forces Fpy (N)	Max. Permissible Loads Forces Fpz (N)	Max. Permissible Loads Moments Mpx (Nm)	Max. Permissible Loads Moments Mpy (Nm)	Max. Permissible Loads Moments Mpz (Nm)
MRJ 65 L	8.6 × A (mm)	3850	2940	50	1.5 × A (mm)	1.9 × A (mm)

Drive data



Max. travel speed and max. acceleration of linear unit with the corrosion-resistant protection strip is 1,5 m/s and 50 m/s² respectively.

The stated values are for strokes up to 500 mm. No load torque value increases with stroke elongation.

Max. acceleration (m/s²): 70

For acceleration over the stated value, please contact Rollco.

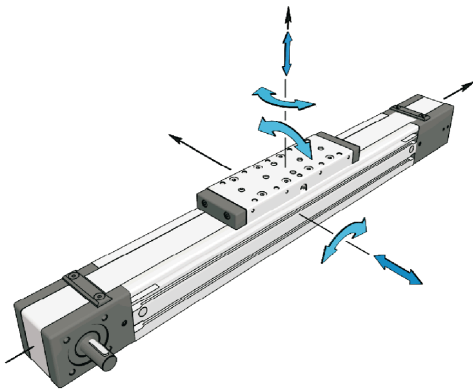
Mass calculation does not include mass of motor, reduction gear, switches and clamps.

Abs. stroke	Absolute stroke [mm]
A	Distance between carriages [mm]
nc	Number of carriages

Designation	Max. Drive Torque Ma (Nm)	No Load Torque with Strip (Nm)	No Load Torque without Strip (Nm)	Pulley Drive Ratio (mm/rev)	Pulley Diameter
MRJ 65 L	13.1	1	0.7	165	52.52

Designation	Belt Type	Belt Width	Max. Force Transmitted by Belt (N)	Specific Spring Constant Cspec (N)	Planar Moment of Inertia Iy (cm ⁴)	Planar Moment of Inertia Iz (cm ⁴)
MRJ 65 L	AT5	32	500	600000	59.7	74.4

Mass and Mass moment



Max. travel speed and max. acceleration of linear unit with the corrosion-resistant protection strip is 1,5 m/s and 50 m/s² respectively.

The stated values are for strokes up to 500 mm. No load torque value increases with stroke elongation.

Max. acceleration (m/s²): 70

For acceleration over the stated value, please contact Rollco.

Mass calculation does not include mass of motor, reduction gear, switches and clamps.

Abs. stroke	Absolute stroke [mm]
A	Distance between carriages [mm]
nc	Number of carriages

Designation	Mass of Linear Unit (kg)	Mass Moment of Inertia (10 ⁻⁵ kg m ²)	Planar Moment of Inertia I _y (cm ⁴)	Planar Moment of Inertia I _z (cm ⁴)	Moved Mass (kg)
MRJ 65 L	4.3 + 0.0047 × (Abs. Stroke + (nc - 1) × A) + 1.31 × (nc - 1)	120.4 + 0.0154 × (Abs. Stroke + (nc - 1) × A) + 90.3 × (nc - 1)	59.7	74.4	1.31