

IS - Inductive Switch

Contact Rollco for CAD-files.

Dimensions in mm.

Ambient Temperature (°C): -25 ... + 70

Rated voltage: 10 ~ 30V DC

Sensor Type: PNP

Switching function: NC/NO

Max. Switching Current (mA): 150x.

Switching Frequency (Hz): 800 max.

Voltage drop: 3.5V

Protection Class: IP67

Electrical connection: M8, 3-pin

Extension cable: Energy chain compliant - bending radius
75 mm

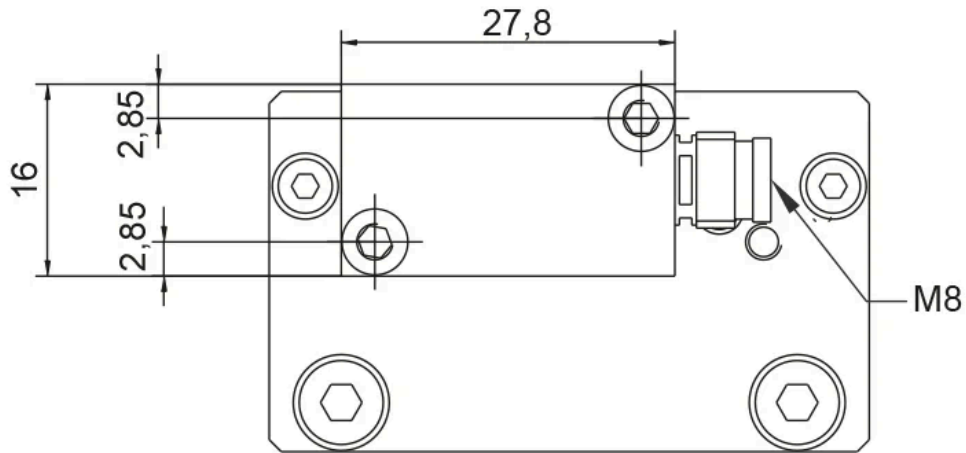
Cable material length: PU

Cable Length (m): 2 / 5

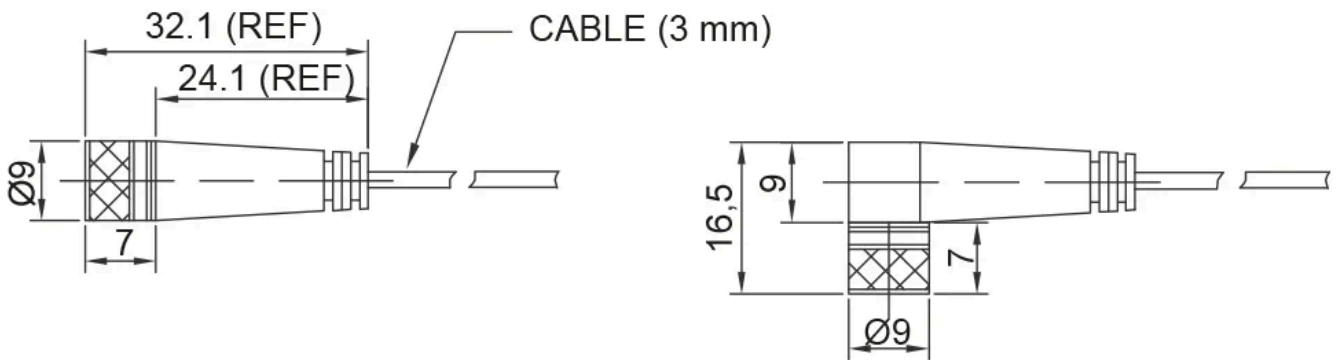
Cable entry: M8, 3-pin straight or angled connector

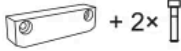

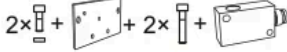

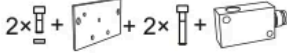






General Data



Extension cable with connector



	Activation block with fixing screws
	PNP NO Inductive switch only
	PNP NO Ind. switch with mounting elements
	PNP NC Inductive switch only
	PNP NC Ind. switch with mounting elements
	Extension cable length 2m - Straight connector
	Extension cable length 5m - Straight connector
	Extension cable length 2 m - Angeled connector
	Extension cable length 5 m - Angeled connector

Designation	Compatible with
Activation block with fixing screws - 43243	MTJ/MRJ 40
Activation block with fixing screws - 52022	MTJZ 40
Activation block with fixing screws - 43247	MTJ/MRJ/MTV 65 MTJZ 65/80
Activation block with fixing screws - 43256	MTJ/MRJ/MTV 80
Activation block with fixing screws - 47827	MTJ/MRJ/MTV 110
Activation block with fixing screws - 63702	MTJZ 110
Activation block with fixing screws - 49030	MTJ ECO 40
Activation block with fixing screws - 49032	CTV/CTJ 90
Activation block with fixing screws - 49031	CTV/CTJ 110
Activation block with fixing screws - 40652	CTV/CTJ 145/200
PNP NO Inductive switch only - 40671	All models
PNP NO Ind. switch with mounting elements - 40680	MTJ/MRJ 40 MTJZ 40

Designation	Compatible with
PNP NO Ind. switch with mounting elements - 48026	MTJ/MRJ/MTV 65 MTJZ 65/80
PNP NO Ind. switch with mounting elements - 43233	MTJ/MRJ/MTV 80
PNP NO Ind. switch with mounting elements - 48047	MTJ/MRJ/MTV 110
PNP NO Ind. switch with mounting elements - 63705	MTJZ 110
PNP NO Ind. switch with mounting elements - 45105	MTJ ECO 40
PNP NO Ind. switch with mounting elements - 49039	CTV/CTJ 90
PNP NO Ind. switch with mounting elements - 49038	CTV/CTJ 110
PNP NO Ind. switch with mounting elements - 48058	CTV/CTJ 145
PNP NO Ind. switch with mounting elements - 53054	CTV/CTJ 200
PNP NC Inductive switch only - 43570	All models
PNP NC Ind. switch with mounting elements - 48851	MTJ/MRJ 40 MTJZ 40
PNP NC Ind. switch with mounting elements - 40685	MTJ/MRJ/MTV 65 MTJZ 65/80
PNP NC Ind. switch with mounting elements - 47848	MTJ/MRJ/MTV 80
PNP NC Ind. switch with mounting elements - 47989	MTJ/MRJ/MTV 110
PNP NC Ind. switch with mounting elements - 63704	MTJZ 110
PNP NC Ind. switch with mounting elements - 45103	MTJ ECO 40
PNP NC Ind. switch with mounting elements - 49037	CTV/CTJ 90
PNP NC Ind. switch with mounting elements - 49036	CTV/CTJ 110
PNP NC Ind. switch with mounting elements - 47850	CTV/CTJ 145
PNP NC Ind. switch with mounting elements - 53052	CTV/CTJ 200
Extension cable length 2m, straight connector - 8146	All models
Extension cable length 5 m, straight connector - 8147	All models
Extension cable length 2 m, angled connector - 9017	All models
Extension cable length 5 m, angled connector - 9019	All models