

5040 - 100% Extension

The 5040 is a 4 beam version of the 5030. The 5040 100% extension can carry up to 260 kg per pair. Standard lengths 300 to 1000 mm in 50 mm increments.

All dimensions in mm.

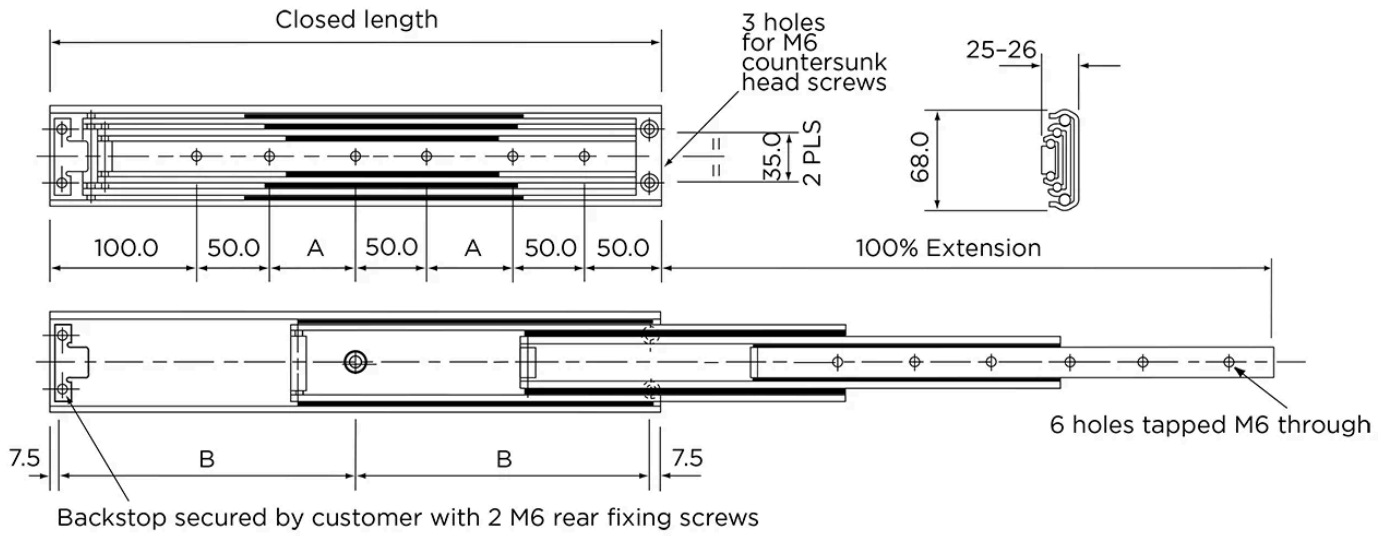
System Load Capacity value refers to a pair of rails at full extension.

Material: Cold-drawn steel profile, zinc plated

Extension: 100%

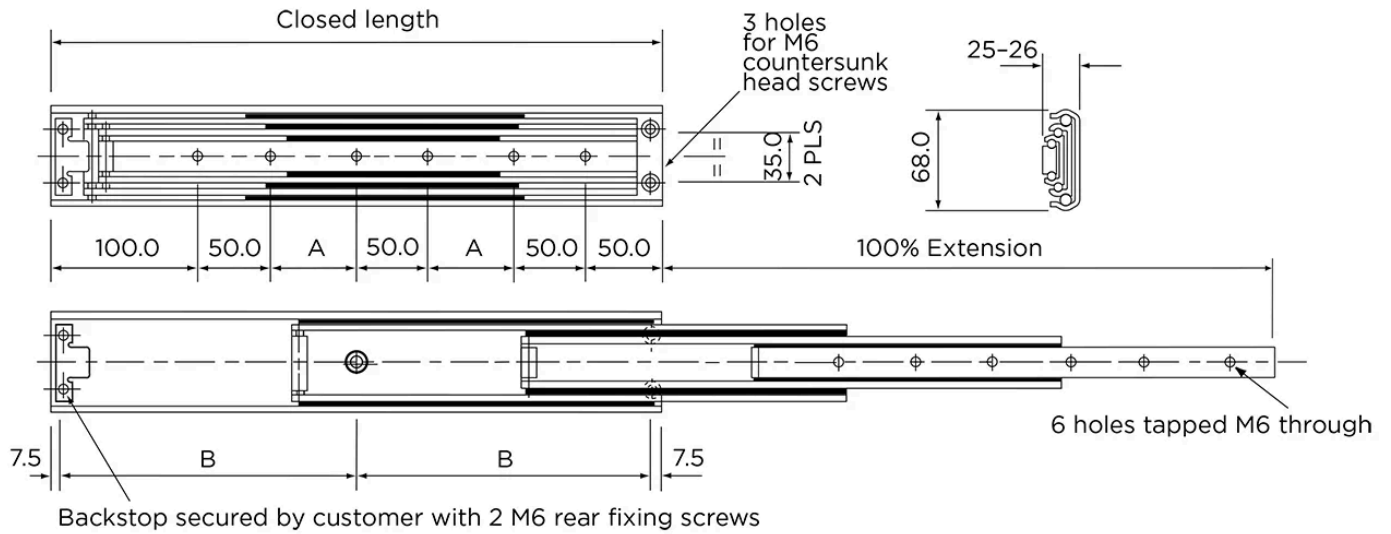


General Data



| Designation | Closed Length | Extension Length | System Load Capacity (N) | Number of Fixing Holes | Weight/pc (kg) |
|---------------|---------------|------------------|--------------------------|------------------------|----------------|
| 5040-300-100 | 300 | 300 | 2600 | 4 | 2.17 |
| 5040-350-100 | 350 | 350 | 2570 | 6 | 2.6 |
| 5040-400-100 | 400 | 400 | 2450 | 6 | 3.02 |
| 5040-450-100 | 450 | 450 | 2380 | 6 | 3.41 |
| 5040-500-100 | 500 | 500 | 2300 | 6 | 3.85 |
| 5040-550-100 | 550 | 550 | 2200 | 6 | 4.24 |
| 5040-600-100 | 600 | 600 | 2100 | 6 | 4.68 |
| 5040-650-100 | 650 | 650 | 2000 | 6 | 5.02 |
| 5040-700-100 | 700 | 700 | 1950 | 6 | 5.42 |
| 5040-750-100 | 750 | 750 | 1820 | 6 | 5.78 |
| 5040-800-100 | 800 | 800 | 1780 | 6 | 6.22 |
| 5040-850-100 | 850 | 850 | 1680 | 6 | 6.64 |
| 5040-900-100 | 900 | 900 | 1600 | 6 | 7.04 |
| 5040-950-100 | 950 | 950 | 1500 | 6 | 7.44 |
| 5040-1000-100 | 1000 | 1000 | 1400 | 6 | 7.9 |

Dimensions



| Designation | A | B |
|---------------|-----|-------|
| 5040-300-100 | - | 142.5 |
| 5040-350-100 | 25 | 167.5 |
| 5040-400-100 | 50 | 192.5 |
| 5040-450-100 | 75 | 217.5 |
| 5040-500-100 | 100 | 242.5 |
| 5040-550-100 | 125 | 267.5 |
| 5040-600-100 | 150 | 292.5 |
| 5040-650-100 | 175 | 317.5 |
| 5040-700-100 | 200 | 342.5 |
| 5040-750-100 | 225 | 367.5 |
| 5040-800-100 | 250 | 392.5 |
| 5040-850-100 | 275 | 417.5 |
| 5040-900-100 | 300 | 442.5 |
| 5040-950-100 | 325 | 467.5 |
| 5040-1000-100 | 350 | 492.5 |