

5040 - 140% Extension

The 5040 is a 4 beam version of the 5030. The main feature of this slide is the capability to extend up to 140% enabling full access to the rear of the equipment. Carrying loads up to 170 kg per pair. Standard lengths 300 to 1000 mm in 50 mm increments.

All dimensions in mm.

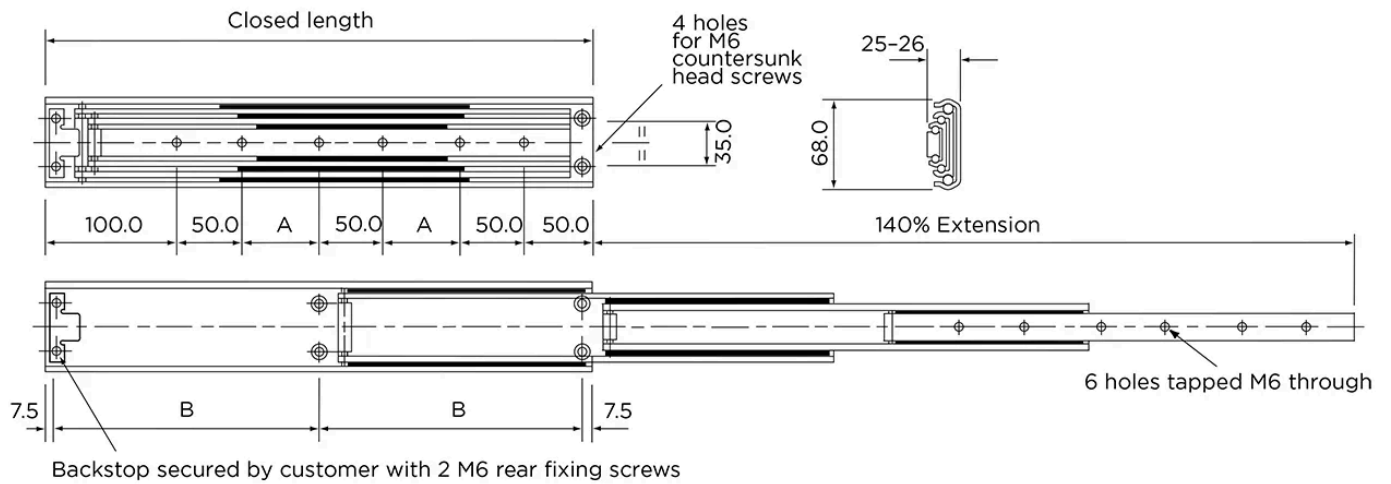
System Load Capacity value refers to a pair of rails at full extension.

Material: Cold-drawn steel profile, zinc plated

Extension: 140%

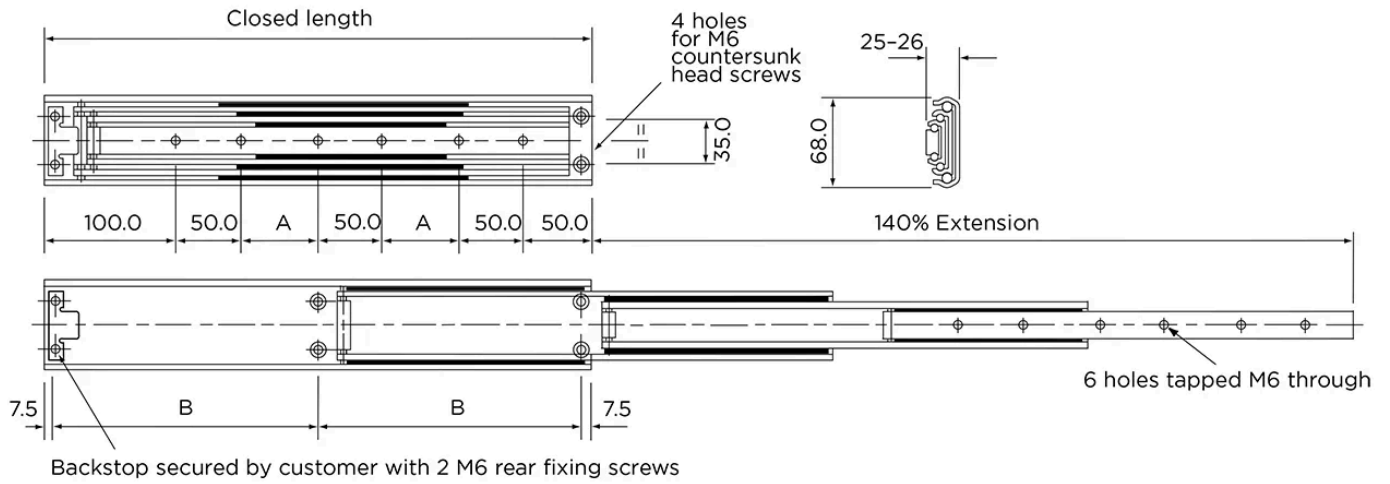


General Data



Designation	Closed Length	Extension Length	System Load Capacity (N)	Number of Fixing Holes	Weight/pc (kg)
5040-300-140	300	420	1700	4	2.12
5040-350-140	350	490	1700	6	2.51
5040-400-140	400	560	1680	6	2.91
5040-450-140	450	630	1630	6	3.32
5040-500-140	500	700	1600	6	3.7
5040-550-140	550	770	1580	6	4.11
5040-600-140	600	840	1560	6	4.49
5040-650-140	650	910	1400	6	4.84
5040-700-140	700	980	1300	6	5.2
5040-750-140	750	1050	1200	6	5.6
5040-800-140	800	1120	1180	6	5.98
5040-850-140	850	1190	1100	6	6.4
5040-900-140	900	1260	1000	6	6.8
5040-950-140	950	1330	900	6	7.14
5040-1000-140	1000	1400	800	6	7.56

Dimensions



Designation	A	B
5040-300-140	-	142.5
5040-350-140	25	167.5
5040-400-140	50	192.5
5040-450-140	75	217.5
5040-500-140	100	242.5
5040-550-140	125	267.5
5040-600-140	150	292.5
5040-650-140	175	317.5
5040-700-140	200	342.5
5040-750-140	225	367.5
5040-800-140	250	392.5
5040-850-140	275	417.5
5040-900-140	300	442.5
5040-950-140	325	467.5
5040-1000-140	350	492.5