

410 - 100% Extension

An all aluminium 3 beam slide extending up to 100%.
Carrying loads up to 340 kg per pair.
Standard lengths 300 to 1000 mm in 50 mm increments.
Lightweight Slide 6,5 kg/meter per pair with a compact profile. 70% lighter than comparable steel slides.

All dimensions in mm.

System Load Capacity value refers to a pair of rails.

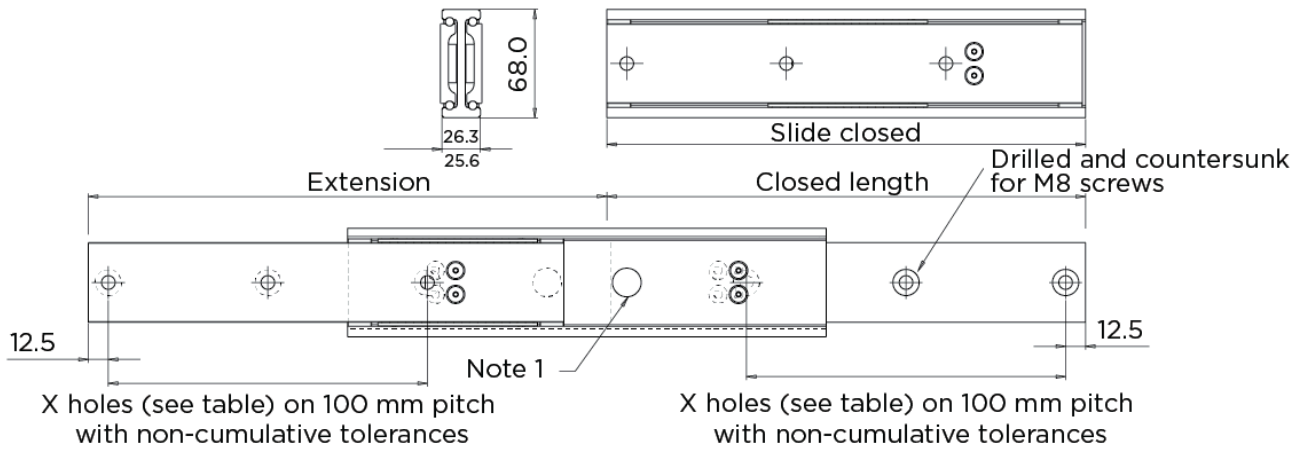
Note: 18 mm dia. holes in centre beam allow easy access to fixing holes. M8 countersunk head screws to BS4183 are recommended for fixing.

Material: Aluminium with polymer ball bearings, standard anodizing finish silver.

Extension: 100%



General Data



Note: 18 mm dia. holes in centre beam allow easy access to fixing holes.
M8 countersunk head screws to BS4183 are recommended for fixing.

Designation	Closed Length	Extension Length	System Load Capacity (N)	Number of Fixing Holes	Weight/pc (kg)
410-300	300	325	2900	3	0.975
410-350	350	375	3000	4	1.1375
410-400	400	425	3100	4	1.3
410-450	450	475	3200	5	1.46
410-500	500	525	3300	5	1.625
410-550	550	575	3400	6	1.787
410-600	600	625	3400	6	1.95
410-650	650	675	3300	7	2.113
410-700	700	725	3200	7	2.275
410-750	750	775	3100	8	2.437
410-800	800	825	3000	8	2.6
410-850	850	875	3000	9	2.763
410-900	900	925	2800	9	2.925
410-950	950	975	2700	10	3.088
410-1000	1000	1025	2500	10	3.25