

3080 - R Lock in / Lock out - 100% Extension

Telescopic slide with integrated locking system.

The 3080 - R Lock in / Lock out rails are right-handed as standard, but can also be mounted upside down on the left-hand side. In such cases, the locking lever is operated by lifting it upwards instead of pushing it downwards.

For most applications, the 3080 - R Lock in / Lock out can be combined with the 3080 rail without a locking function. For wider installations, lockable rails on both sides are recommended for improved stability.

Left-hand versions are available upon request. Please contact Rollco for more information.

All dimensions in mm.

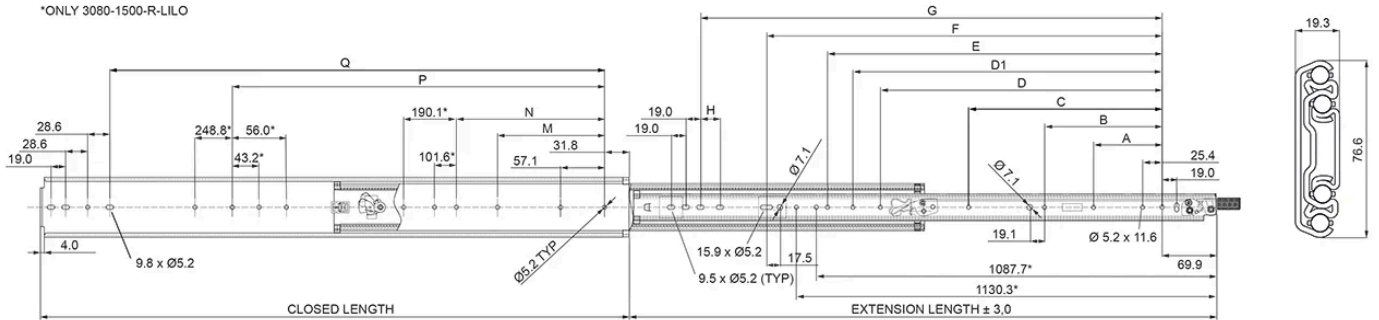
System Load Capacity value refers to a pair of rails.

Material: Cold-drawn steel profile, zinc plated

Extension: 100%

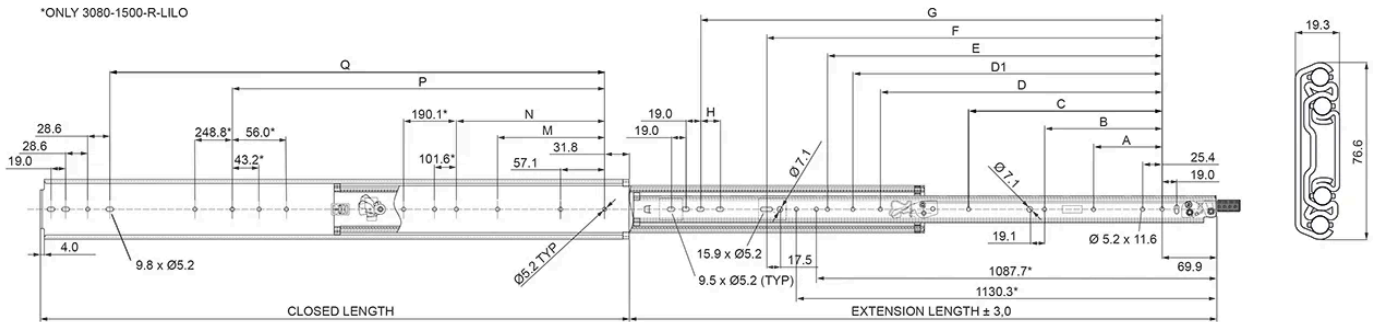


General Data



Designation	Closed Length	Extension Length	System Load Capacity (N)	Weight/pc (kg)
3080-350-R-LILO	355.6	355.6	1780	1.83
3080-375-R-LILO	381	381	1780	1.96
3080-400-R-LILO	406.4	406.4	1780	2.09
3080-450-R-LILO	457.2	457.2	1780	2.36
3080-500-R-LILO	508	508	1780	2.62
3080-550-R-LILO	558.8	558.8	1690	2.88
3080-600-R-LILO	609.6	609.6	1690	3.14
3080-650-R-LILO	660.4	660.4	1690	3.39
3080-700-R-LILO	711.2	711.2	1600	3.65
3080-750-R-LILO	762	762	1510	3.92
3080-800-R-LILO	812.8	812.8	1510	4.18
3080-850-R-LILO	863.6	863.6	1420	4.45
3080-900-R-LILO	914.4	914.4	1420	4.71
3080-950-R-LILO	965.2	965.2	1330	4.97
3080-1000-R-LILO	1016	1016	1330	5.23
3080-1050-R-LILO	1066.8	1066.8	1240	5.49
3080-1100-R-LILO	1117.6	1117.6	1240	5.75
3080-1150-R-LILO	1168.4	1168.4	1150	6.01
3080-1200-R-LILO	1219.2	1219.2	1150	6.27
3080-1250-R-LILO	1270	1270	1060	6.52
3080-1300-R-LILO	1320.8	1320.8	1060	6.78
3080-1350-R-LILO	1371.6	1371.6	1020	7.03
3080-1400-R-LILO	1422.4	1422.4	1020	7.28
3080-1450-R-LILO	1473.2	1473.2	890	7.56
3080-1500-R-LILO	1524	1524	890	7.85

Dimensions



Designation	A	B	C	D	D1	E	F	G	H
3080-350-R-LILO	-	-	-	-	-	-	-	192.1	-
3080-375-R-LILO	88.9	-	-	-	-	-	-	217.5	-
3080-400-R-LILO	88.9	-	-	-	-	-	-	242.9	-
3080-450-R-LILO	88.9	-	-	-	-	-	-	293.7	-
3080-500-R-LILO	88.9	152.4	-	-	-	-	-	344.5	-
3080-550-R-LILO	88.9	152.4	-	-	-	-	-	395.3	25.4
3080-600-R-LILO	88.9	152.4	-	-	-	-	360.4	446.1	25.4
3080-650-R-LILO	88.9	152.4	-	-	-	-	411.2	496.9	25.4
3080-700-R-LILO	88.9	152.4	-	-	-	-	462	547.7	25.4
3080-750-R-LILO	88.9	152.4	-	-	-	-	512.8	598.5	25.4
3080-800-R-LILO	88.9	152.4	330.2	-	-	-	563.3	649.3	25.4
3080-850-R-LILO	88.9	152.4	330.2	-	-	-	614.4	700.1	25.4
3080-900-R-LILO	88.9	152.4	330.2	482.6	-	-	665.2	750.9	25.4
3080-950-R-LILO	88.9	152.4	330.2	533.4	-	-	716	801.7	25.4
3080-1000-R-LILO	88.9	152.4	330.2	584.2	-	-	766.8	852.5	25.4
3080-1050-R-LILO	88.9	152.4	330.2	635	685.8	-	817.6	903.3	25.4
3080-1100-R-LILO	88.9	152.4	330.2	685.8	-	787.4	868.4	954.1	25.4
3080-1150-R-LILO	88.9	152.4	330.2	685.8	-	787.4	919.2	1004.9	25.4
3080-1200-R-LILO	88.9	152.4	330.2	685.8	725.6	787.4	970	1055.7	25.4
3080-1250-R-LILO	88.9	152.4	330.2	685.8	-	787.4	1020.8	1106.5	25.4
3080-1300-R-LILO	88.9	152.4	330.2	736.6	-	787.4	1071.6	1157.3	25.4
3080-1350-R-LILO	88.9	152.4	330.2	736.6	-	787.4	1122.4	1208.1	25.4
3080-1400-R-LILO	88.9	152.4	330.2	736.6	-	787.4	1173.2	1258.9	25.4
3080-1450-R-LILO	88.9	152.4	330.2	736.6	-	787.4	1224	1309.7	25.4
3080-1500-R-LILO	88.9	152.4	330.2	584.2	-	787.4	1271.4	1360.5	25.4

Designation	M	N	P	Q
3080-350-R-LILO	-	-	-	234.9
3080-375-R-LILO	-	-	-	260.3
3080-400-R-LILO	-	-	-	285.7
3080-450-R-LILO	-	-	-	336.5
3080-500-R-LILO	-	-	-	387.3
3080-550-R-LILO	-	-	-	438.1
3080-600-R-LILO	-	-	-	488.9

Designation	M	N	P	Q
3080-650-R-LILO	-	-	-	539.7
3080-700-R-LILO	-	-	-	590.5
3080-750-R-LILO	215.8	-	482.5	641.3
3080-800-R-LILO	215.8	-	533.4	692.1
3080-850-R-LILO	215.8	-	584.2	742.9
3080-900-R-LILO	215.8	-	635	793.7
3080-950-R-LILO	215.8	-	685.7	844.5
3080-1000-R-LILO	215.8	-	736.6	895.3
3080-1050-R-LILO	215.8	527	787.4	946.1
3080-1100-R-LILO	215.8	-	838.2	996.9
3080-1150-R-LILO	215.8	-	889	1047.7
3080-1200-R-LILO	215.8	387.7	939.7	1098.5
3080-1250-R-LILO	215.8	-	939.7	1149.3
3080-1300-R-LILO	215.8	577.8	939.7	1200.1
3080-1350-R-LILO	215.8	577.8	939.7	1250.9
3080-1400-R-LILO	215.8	577.8	939.7	1307.1
3080-1450-R-LILO	215.8	577.8	939.7	1352.5
3080-1500-R-LILO	215.8	476.2	995.7	1403.3