

FSCR/FSCL

Ball nut with Flange (DIN 69051)

Available in right (FSCR) and left (FSCL) lead.

Match with Screw shaft: SR.

Standard nuts are with oil-seals.

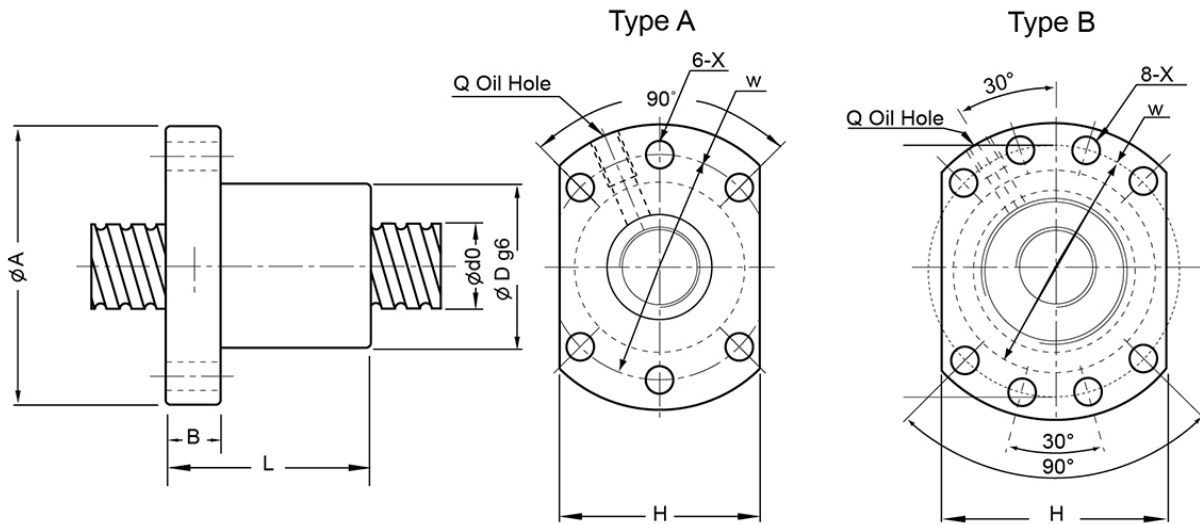
All other dimensions in mm



Load

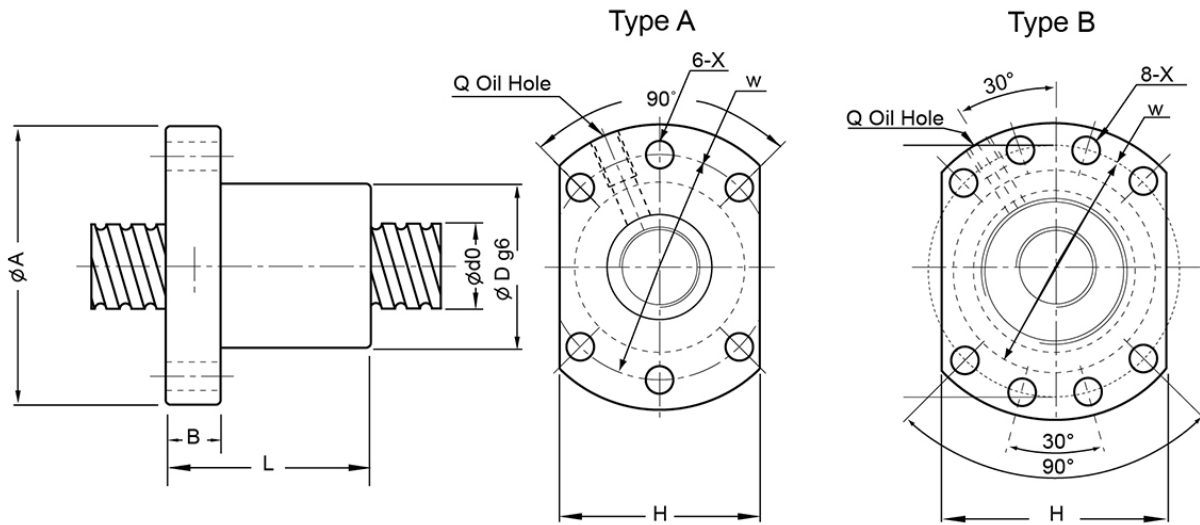
Designation	Compatible with	Dynamic Load Ratings Ca (N)	Static Load Ratings C0a (N)
FSCR1605	BKN12 / FKN12 / BFN12 / FFN12	13185	14960
FSCRN1610	BKN12 / FKN12 / BFN12 / FFN12	11576	14676
FSCR2005	BKN15 / FKN15 / BFN15 / FFN15	14833	19571
FSCL2005	BKN15 / FKN15 / BFN15 / FFN15	14833	19571
FSCR2505	BKN20 / FKN20 / BFN20 / FFN20	16716	25320
FSCR2510	BKN17 / FKN17 / BFN17 / FFN17	28263	36248
FSCR3205	BKN25 / FKN25 / WBK25DF / BFN25 / FFN25	18874	33383
FSCL3205	BKN25 / FKN25 / WBK25DF / BFN25 / FFN25	18874	33383
FSCR3210	BKN25 / FKN25 / WBK25DF / BFN25 / FFN25	47422	76861
FSCR3220	BKN25 / FKN25 / WBK25DF / BFN25 / FFN25	21003	35081
FSCR4005	BKN30 / FKN30 / WBK30DF / WBK30DFF / BFN30 / FFN30	21013	42595
FSCR4010	BKN30 / FKN30 / WBK30DF / WBK30DFF / BFN30 / FFN30	52964	98826
FSCR4020	BKN30 / FKN30 / WBK30DF / WBK30DFF / BFN30 / FFN30	37101	63451
FSCR5010	BKN40 / WBK40DF / WBK40DFF / BFN40	58203	120791
FSCR6310	—	65727	159216
FSCR6320	—	87868	176040

Dimensions



Designation	d0 x Lead	A	B	L	D	H	Q
FSCR1605	16 x 5	48	10	50	28	40	M6
FSCRN1610	16 x 10	48	12	43	28	40	M6
FSCR2005	20 x 5	58	10	53	36	44	M6
FSCL2005	20 x 5	58	10	34	36	44	M6
FSCR2505	25 x 5	62	10	53	40	48	M6
FSCR2510	25 x 10	62	12	85	40	48	M6
FSCR3205	32 x 5	80	12	53	50	62	M6
FSCL3205	32 x 5	80	12	53	50	62	M6
FSCR3210	32 x 10	80	16	90	50	62	M6
FSCR3220	32 x 20	80	13	78	50	62	M6
FSCR4005	40 x 5	93	16	56	63	70	M8
FSCR4010	40 x 10	93	18	93	63	70	M8
FSCR4020	40 x 20	93	15	83	63	70	M8
FSCR5010	50 x 10	110	18	93	75	85	M8
FSCR6310	63 x 10	125	18	98	90	95	M8
FSCR6320	63 x 20	135	20	138	95	100	M8

Mounting holes



Designation	Type	X	W
FSCR1605	A	5.5	38
FSCRN1610	A	5.5	38
FSCR2005	A	6.6	47
FSCL2005	A	6.6	47
FSCR2505	A	6.6	51
FSCR2510	A	6.6	51
FSCR3205	A	9	65
FSCL3205	A	9	65
FSCR3210	A	9	65
FSCR3220	A	9	65
FSCR4005	B	9	78
FSCR4010	B	9	78
FSCR4020	B	9	78
FSCR5010	B	11	93
FSCR6310	B	11	108
FSCR6320	B	13.5	115

Ball dia./Turns

Designation	Ball diameter	Turns x circuits
FSCR1605	3.175	1 x 4
FSCRN1610	3.175	3 x 1
FSCR2005	3.175	1 x 4
FACL2005	3.175	4 x 1
FSCR2505	3.175	1 x 4
FSCR2510	4.762	1 x 4
FSCR3205	3.175	1 x 4
FACL3205	3.175	1 x 4
FSCR3210	6.35	1 x 4
FSCR3220	3.969	3 x 1
FSCR4005	3.175	1 x 4
FSCR4010	6.35	1 x 4
FSCR4020	5.556	3 x 1
FSCR5010	6.35	1 x 4
FSCR6310	6.35	1 x 4
FSCR6320	9.525	1 x 3