

## FSER

Single Nut with Flange, Long Lead.

Standard nuts are with oil-seals. Other types on request.

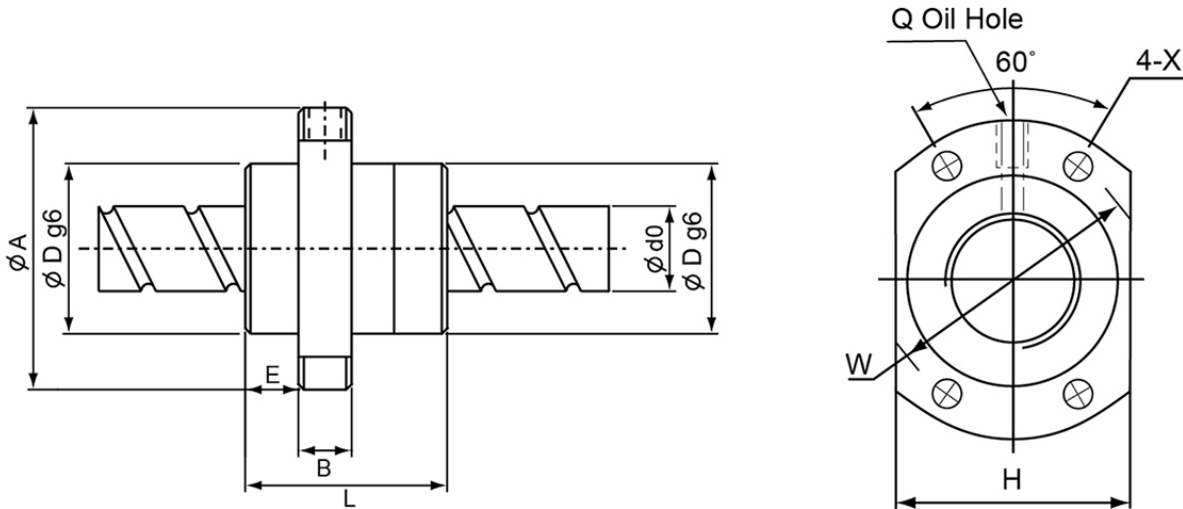
All dimensions in mm.



## Load

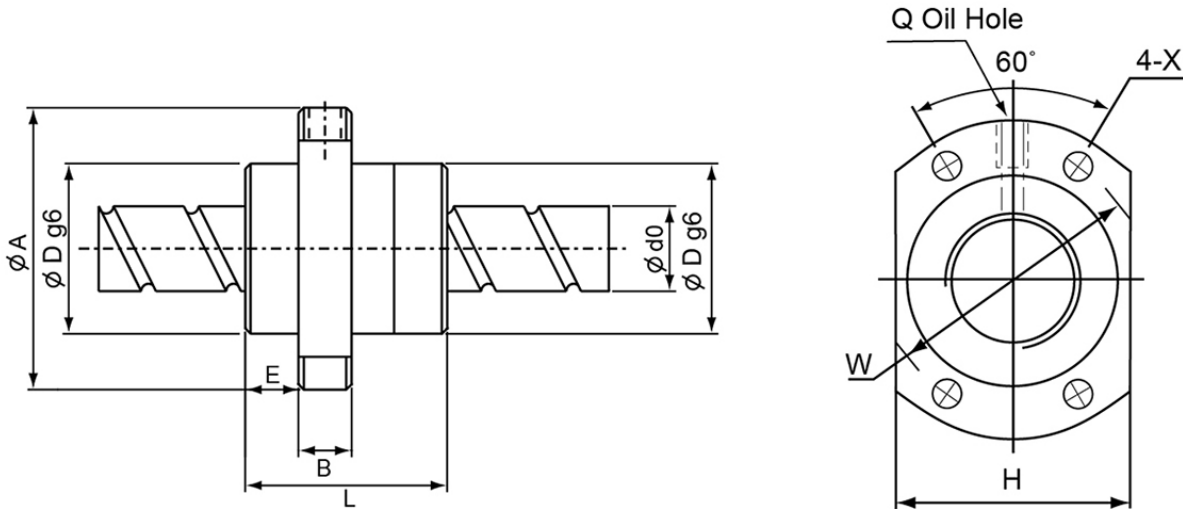
Designation	Compatible with	Dynamic Load Ratings Ca (N)	Static Load Ratings C0a (N)
<b>FSER1616</b>	BKN12 / FKN12 / BFN12 / FFN12	14833	19571
<b>FSER2020</b>	BKN15 / FKN15 / BFN15 / FFN15	16275	24172
<b>FSER2525</b>	BKN20 / FKN20 / BFN20 / FFN20	24339	37778
<b>FSER3232</b>	BKN25 / FKN25 / WBK25DF / BFN25 / FFN25	35169	59557
<b>FSER4040</b>	BKN30 / FKN30 / WBK30DF / WBK30DFF / BFN30 / FFN30	56682	115297
<b>FSER5050</b>	BKN40 / WBK40DF / WBK40DFF / BFN40	86514	188754

## Dimensions



Designation	d0 x Lead	A	B	L	D	H	E	Q
<b>FSER1616</b>	16 x 16	53	10	48	32	38	10.5	M6
<b>FSER2020</b>	20 x 20	62	10	55	39	46	10.8	M6
<b>FSER2525</b>	25 x 25	74	12	67	47	56	11.2	M6
<b>FSER3232</b>	32 x 32	92	15	82	58	68	14	M6
<b>FSER4040</b>	40 x 40	114	17	100	73	84	17	M6
<b>FSER5050</b>	50 x 50	135	20	125	90	92	21.5	M6

## Mounting holes



Designation	X	W
<b>FSER1616</b>	4.5	42
<b>FSER2020</b>	5.5	50
<b>FSER2525</b>	6.6	60
<b>FSER3232</b>	9	74
<b>FSER4040</b>	11	93
<b>FSER5050</b>	14	112

## Ball dia./Turns

Designation	Ball diameter	Turns x circuits
FSER1616	3.175	1.8 x 2
FSER2020	3.175	1.8 x 2
FSER2525	3.969	1.8 x 2
FSER3232	4.762	1.8 x 2
FSER4040	6.35	1.8 x 2
FSER5050	7.938	1.8 x 2