

SFYR

Single Nut with Flange, Over Lead
Match with Screw shaft: SCR.

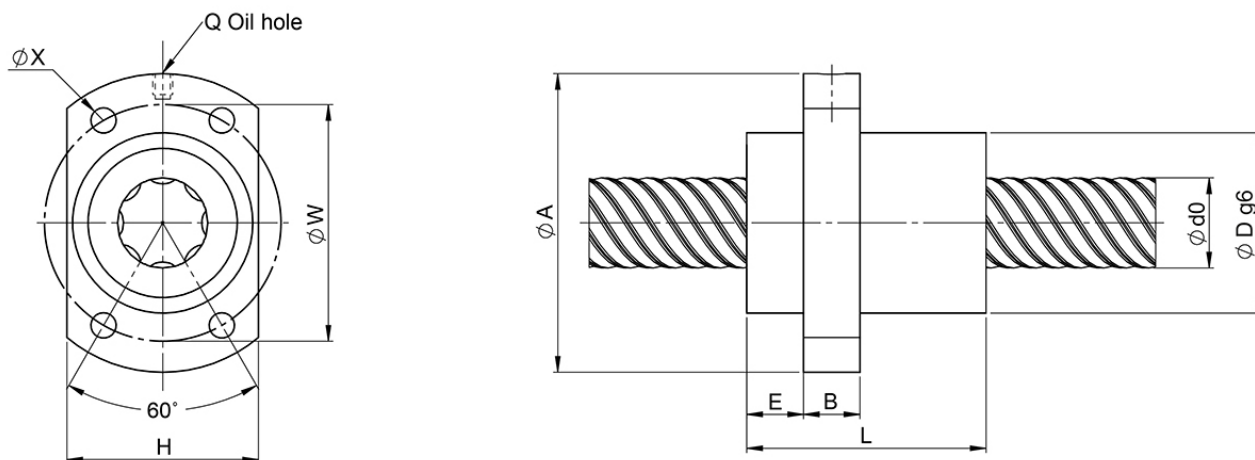
All other dimensions in mm



Load

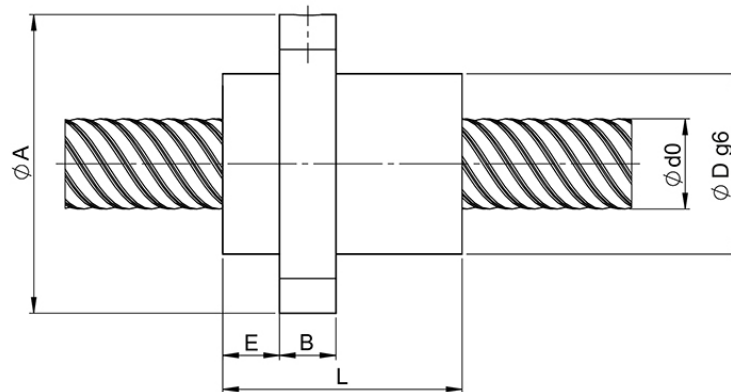
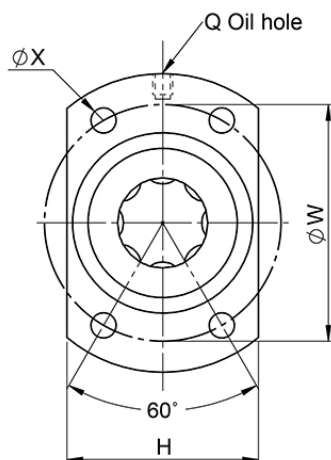
Designation	Compatible with	Dynamic Load Ratings Ca (N)	Static Load Ratings C0a (N)
SFYR1632	BKN12 / FKN12 / BFN12 / FFN12	4.93	11.16
SFYR2040	BKN15 / FKN15 / BFN15 / FFN15	6.53	15.97
SFYR2550	BKN20 / FKN20 / BFN20 / FFN20	9.76	24.95

Dimensions



Designation	d0 x Lead	A	B	L	D	H	E	Q
SFYR1632	16 x 32	53	10	42.5	32	34	10.1	M6
SFYR2040	20 x 40	62	10	48	39	41	13	M6
SFYR2550	25 x 50	74	12	58	47	49	15	M6

Mounting holes



Designation	X	W
SFYR1632	4.5	42
SFYR2040	5.5	50
SFYR2550	6.6	60

Ball dia./Turns

Designation	Ball diameter	Turns x circuits
SFYR1632	2.778	0.8 x 2
SFYR2040	3.175	0.8 x 2
SFYR2550	3.969	0.8 x 2