

## DF Seal High Dust Proof

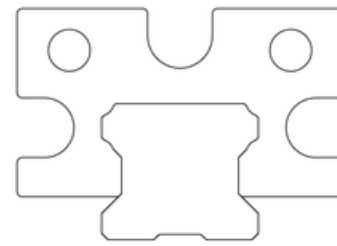
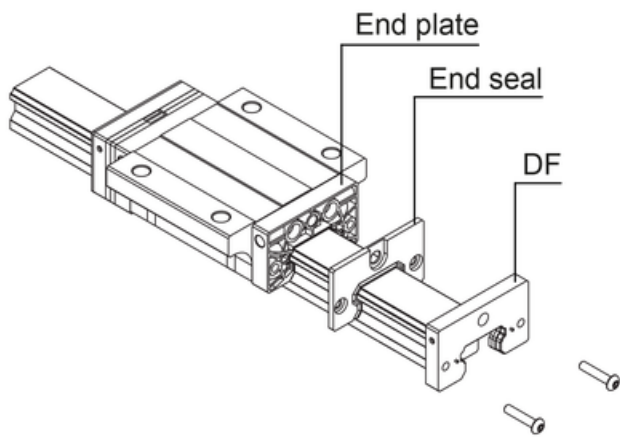
To protect the linear rail system from fine foreign matter, the high dust-proof DF seal can be used.

A high density felt in the DF unit contact the entire rail profile section, leaving no gaps for dust and debris to enter the block.

For DF to be the most effective, it is recommended to either combine it with bottom mounted rails SBI-B or using the option ST Stainless Dustproof Tape.

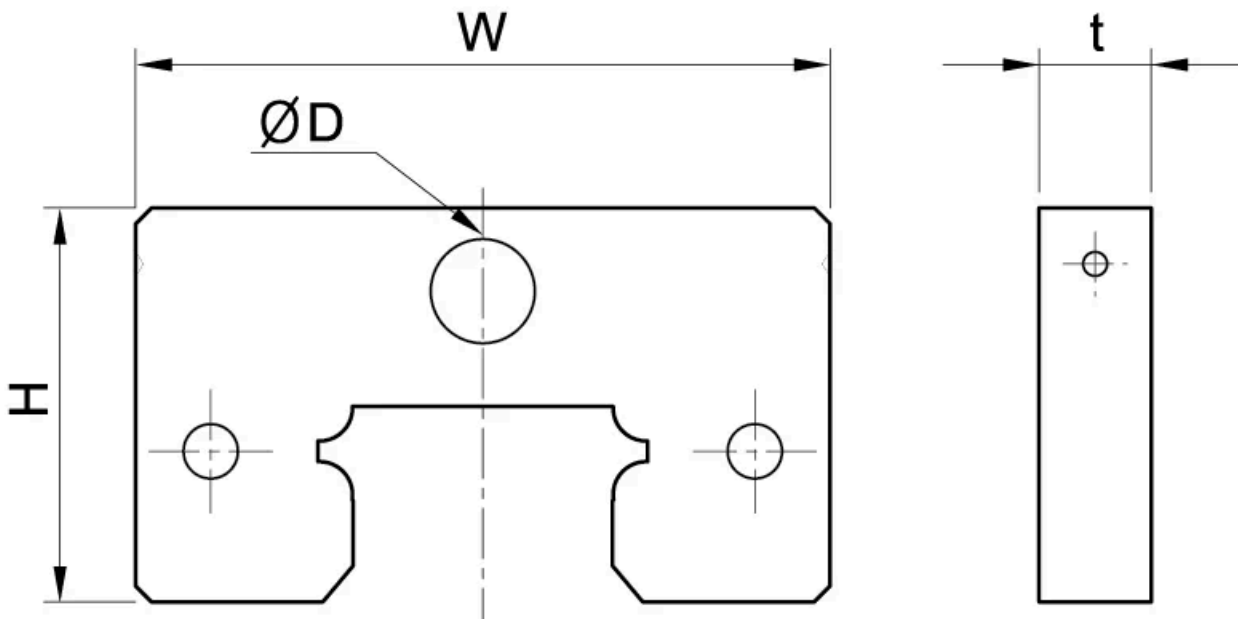
Dimensions in mm.





\* DF contact surfaces are tolerance match to the guiderail to ensure perfect sealing

## Dimensions



Designation	Block Type	W	t	H	D
SBI15-DFA	FL, FLL, HL, HLL, SL, SLL, FV, SV	33.4	7	20.2	4
SBI20-DFA	FL, FLL, SL, SLL	43.4	7	24.6	6.5
SBI20-DFB	CL, CLL, FV, SV	43.4	7	22.6	6.5
SBI25-DFA	FL, FLL, HL, HLL, SL, SLL	47	7	29.7	6.5
SBI25-DFB	CL, CLL, FV, SV	47	7	26.7	6.5
SBI30-DFA	FL, FLL, HL, HLL, SL, SLL	59	8	34.2	6.5
SBI35-DFA	FL, FLL, HL, HLL, SL, SLL	69	8	39.7	6.5
SBI45-DFA	FL, FLL, HL, HLL, SL, SLL	85	8	49.7	10.5
SBI55-DFA	FL, FLL, HL, HLL, SL, SLL	98	9	56	10.5
SBI65-DFA	FL, FLL, SL, SLL	123	9	69	10.5