

SBE

Dimensions in mm.
Other types available on request.

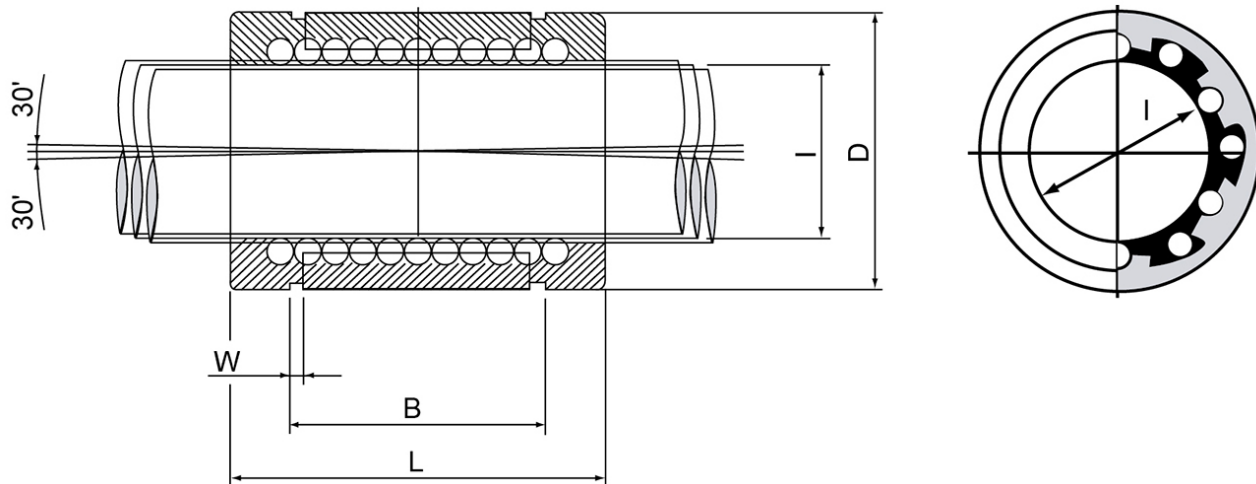
Material: N/A



Load and weight

| Designation | Dynamic Load Capacity (N) | Static Load Capacity (N) | Number Of Ball Rows |
|-------------|---------------------------|--------------------------|---------------------|
| SBE16UU | 1530 | 1280 | 5 |
| SBE20UU | 2630 | 1700 | 6 |
| SBE25UU | 3880 | 2810 | 6 |
| SBE30UU | 4810 | 2860 | 6 |
| SBE40UU | 6630 | 5840 | 6 |
| SBE50UU | 11690 | 8100 | 6 |

Dimensions and data



| Designation | I | D | L | W | B |
|-------------|----|----|-----|------|------|
| SBE16UU | 16 | 26 | 36 | 1.3 | 24.6 |
| SBE20UU | 20 | 32 | 45 | 1.6 | 31.2 |
| SBE25UU | 25 | 40 | 58 | 1.85 | 43.7 |
| SBE30UU | 30 | 47 | 68 | 1.85 | 51.7 |
| SBE40UU | 40 | 62 | 80 | 2.15 | 60.3 |
| SBE50UU | 50 | 75 | 100 | 2.65 | 77.3 |