

KBA...UU

Dimensions in mm.

Other types available on request.

NOTE: Linear Units can also be supplied with self-aligning SBE-Bushing (KBE...UU) or stainless LMES-Bushing (KBS..UU).

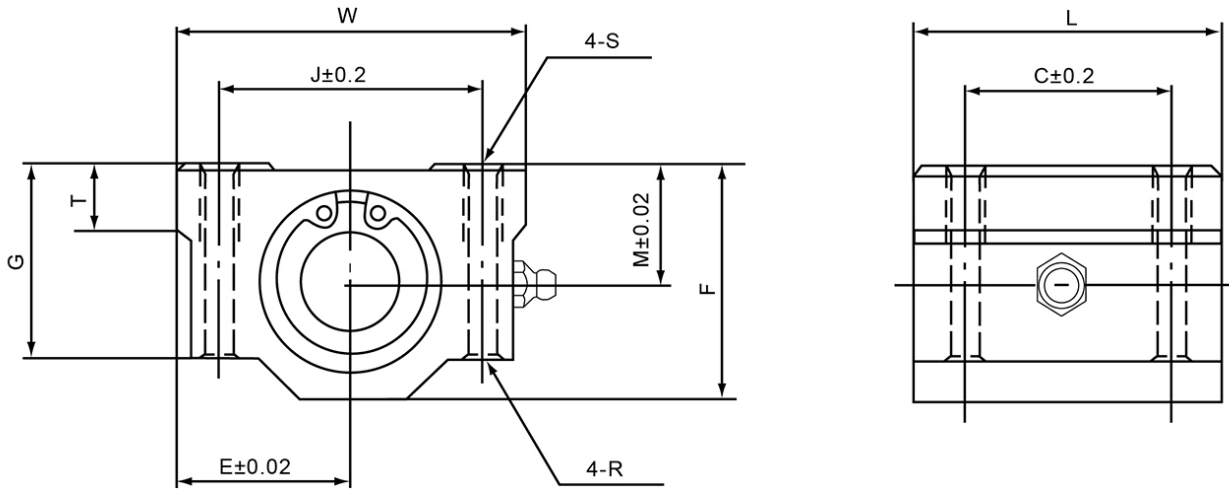
Material: Aluminium 6063 + 100Cr6



General Data

Designation	Dynamic Load Capacity (N)	Static Load Capacity (N)
KBA12UU	520	740
KBA16UU	590	910
KBA20UU	880	1400
KBA25UU	1000	1600
KBA30UU	1600	2800
KBA40UU	2200	4000
KBA50UU	3900	8100

Dimensions



Designation	L	W	C	E	F	G	J	M	R
KBA12UU	39	44	26	22	30	24.5	33	15	4.3
KBA16UU	44	50	34	25	38.5	32.5	36	19	4.3
KBA20UU	53	54	40	27	41	35	40	21	5.2
KBA25UU	67	76	50	38	51.5	42	54	26	7
KBA30UU	76	78	58	39	59.5	49	58	30	7
KBA40UU	90	102	60	51	78	62	80	40	8.7
KBA50UU	110	122	80	61	102	80	100	52	8.7

Designation	S	T	Inscribed Circle Diameter
KBA12UU	M5	8	12
KBA16UU	M5	9	16
KBA20UU	M6	11	20
KBA25UU	M8	12	25
KBA30UU	M8	15	30
KBA40UU	M10	20	40
KBA50UU	M10	25	50