

## WH

Dimensions in mm.

Other types available on request.

Contact us for CAD-files.

**Material:** Quenched and tempered steel C60 / 1.1221

**Surface hardness:** 59 HRC min. Hardening depth according to DIN ISO 18203.

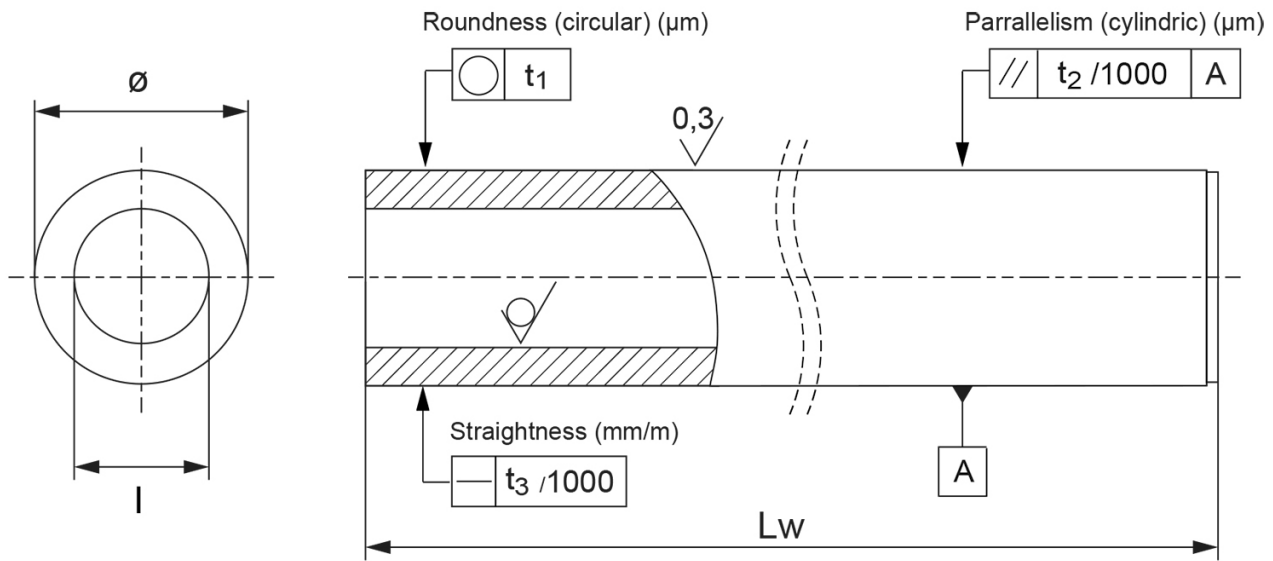
**Standard Tolerance:** ISO h7



## Load and weight

Designation	Weight (kg/m)
WH12	0.79
WH16	1.28
WH20	1.25
WH25	2.35
WH30	3.5
WH40	4.99
WH50	9.91

## Dimensions and data



Designation	Lw (mm)	Diameter	Inner Diameter	Hardening Depth	Roundness t1
WH12	6000	12	4	.6	8
WH16	6000	16	7	.6	8
WH20	6000	20	14	.9	9
WH25	6000	25	15.6	.9	9
WH30	6000	30	18.3	.9	9
WH40	6000	40	28	1.5	11
WH50	6000	50	29.7	1.5	11

Designation	Parallelism t2	Straightness t3
WH12	8	.3
WH16	8	.3
WH20	9	.3
WH25	9	.3
WH30	9	.3
WH40	11	.3
WH50	11	.2