

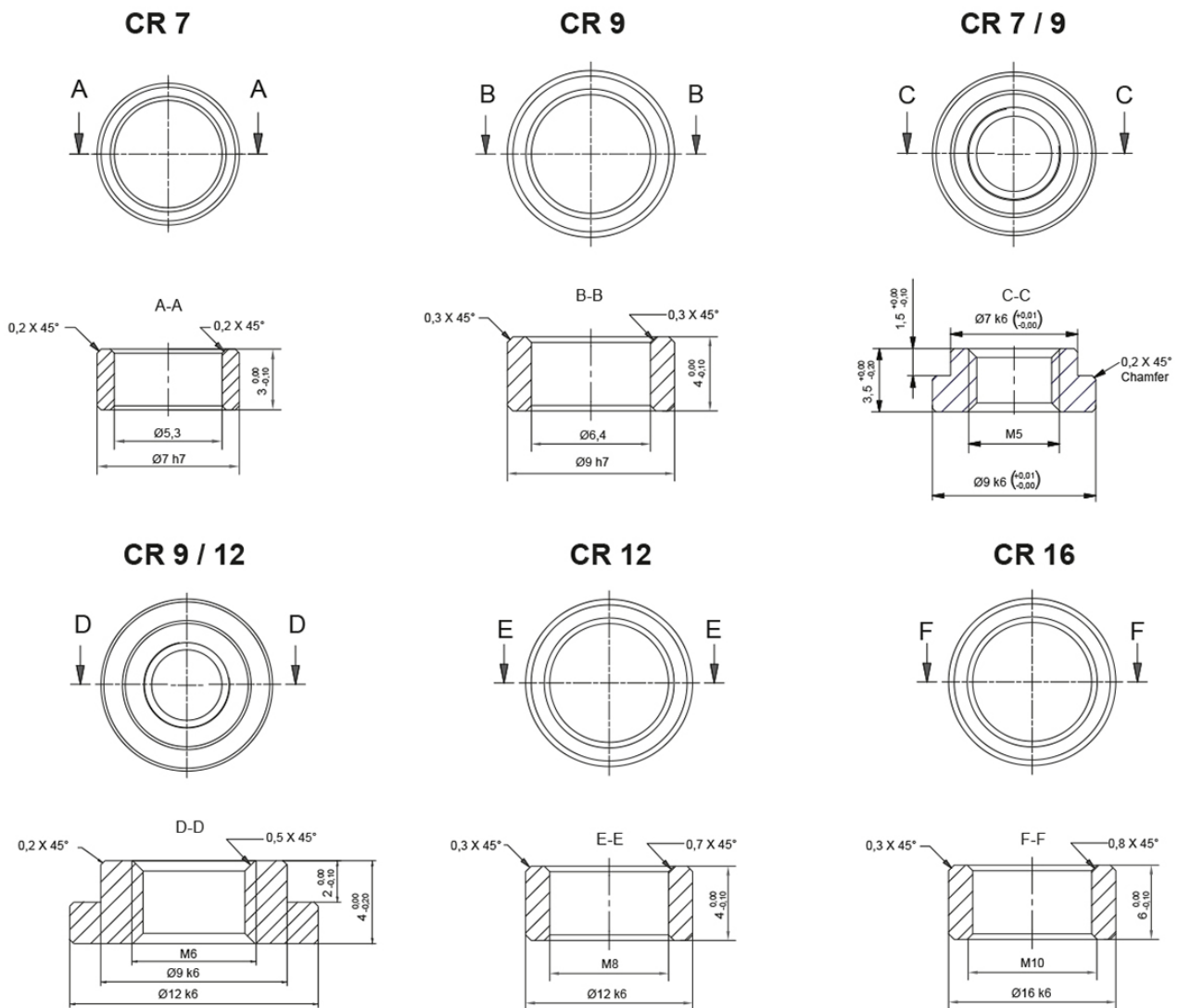
Centering Rings

Contact Rollco for CAD-files.

Dimensions in mm.



General Data



Designation	Compatible with	Code
CR 7	MTJ / MRJ / MTJZ / MTV: 40, 65	23332
CR 9	MTJ / MRJ / MTV / MTJZ: 80, 110 CTV / CTJ: 90, 110	23331
CR 7 / 9	MTJ / MRJ / MTV / MTJZ, CTV / CTJ: 90, 110	75114
CR 9 / 12	MTJ / MRJ / MTV / MTJZ: 80, 110 CTV / CTJ: 90, 110, 145	48885
CR 12	CTV / CTJ: 145	49049
CR 16	CTV / CTJ: 200	53023