

5030 - 100% Extension

An all steel 3 beam slide extending up to 100%. Carrying loads up to 190 kg per pair. The 5030 offers strength and durability in a compact envelope. Standard lengths 300 to 1000 mm in 50 mm increments.

All dimensions in mm.

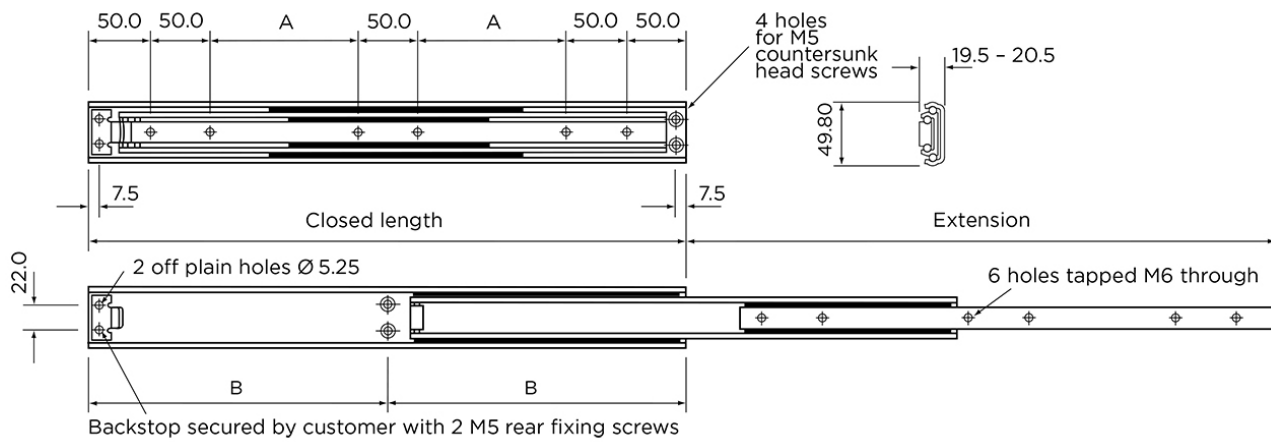
System Load Capacity value refers to a pair of rails at full extension.

* Outer beam: 2 holes in both ends.

Extension: 100%

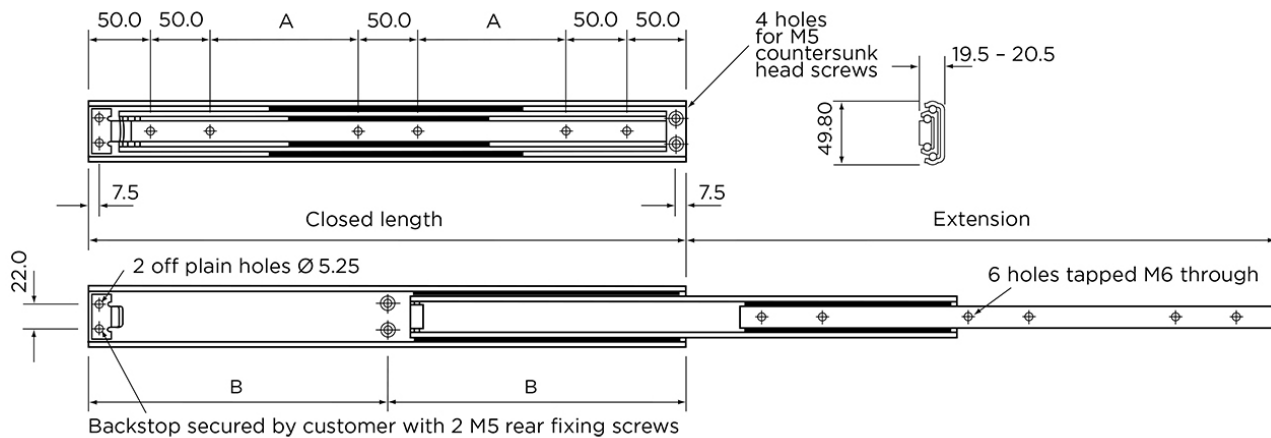


General Data



Designation	Closed Length	Extension Length	System Load Capacity (N)	Number of Fixing Holes
5030-300	300	300	1900	4
5030-350	350	350	1830	6
5030-400	400	400	1750	6
5030-450	450	450	1650	6
5030-500	500	500	1550	6
5030-550	550	550	1450	6
5030-600	600	600	1370	6
5030-650	650	650	1250	6
5030-700	700	700	1180	6
5030-750	750	750	1050	6
5030-800	800	800	950	6
5030-850	850	850	830	6
5030-900	900	900	720	6
5030-950	950	950	600	6
5030-1000	1000	1000	500	6

Dimensions



Designation	A	B
5030-300	*	150
5030-350	50	175
5030-400	75	200
5030-450	100	225
5030-500	125	250
5030-550	150	275
5030-600	175	300
5030-650	200	325
5030-700	225	350
5030-750	250	375
5030-800	275	400
5030-850	300	425
5030-900	325	450
5030-950	350	475
5030-1000	375	500