

## 220 (Right) & 230 (Left) Lock in / Lock out - 100% Extension

Note 1: 15 mm dia. holes in centre allow easy access to fixing holes. M5 countersunk head screws to BS4183 are recommended for fixing.

Note 2: Elongated holes should be provided in either the framework or chassis to give adjustment if it is necessary for the panel to fit tight against the framework.

All dimensions in mm. Please contact us for CAD-files.

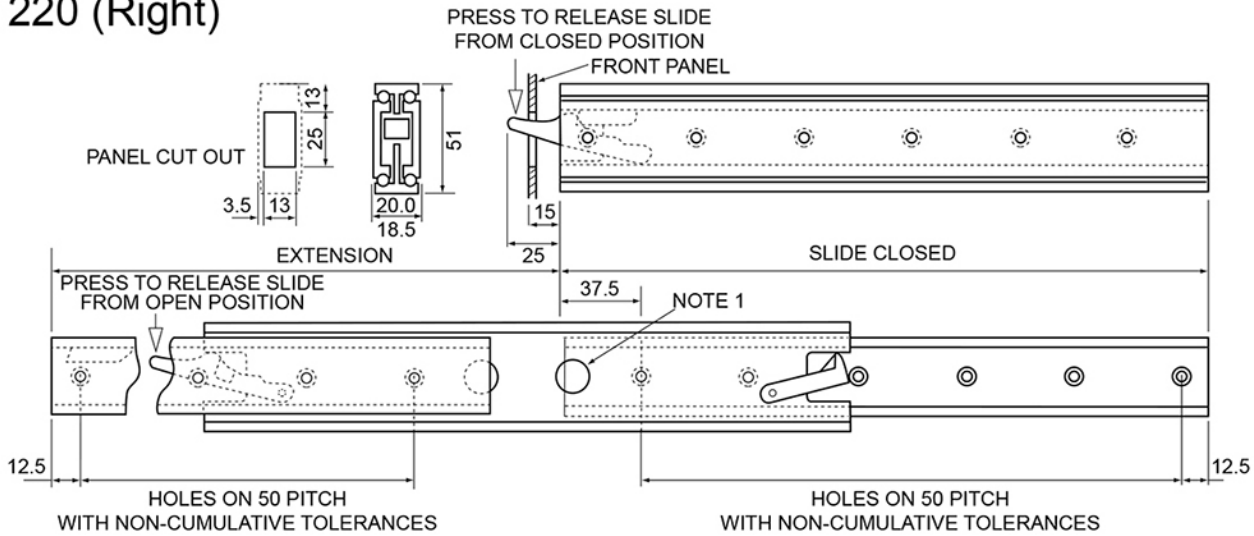
System Load Capacity value refers to a pair of rails.

**Material:** Aluminium 6063A TF. Anodized to ISO 7599 AA10.

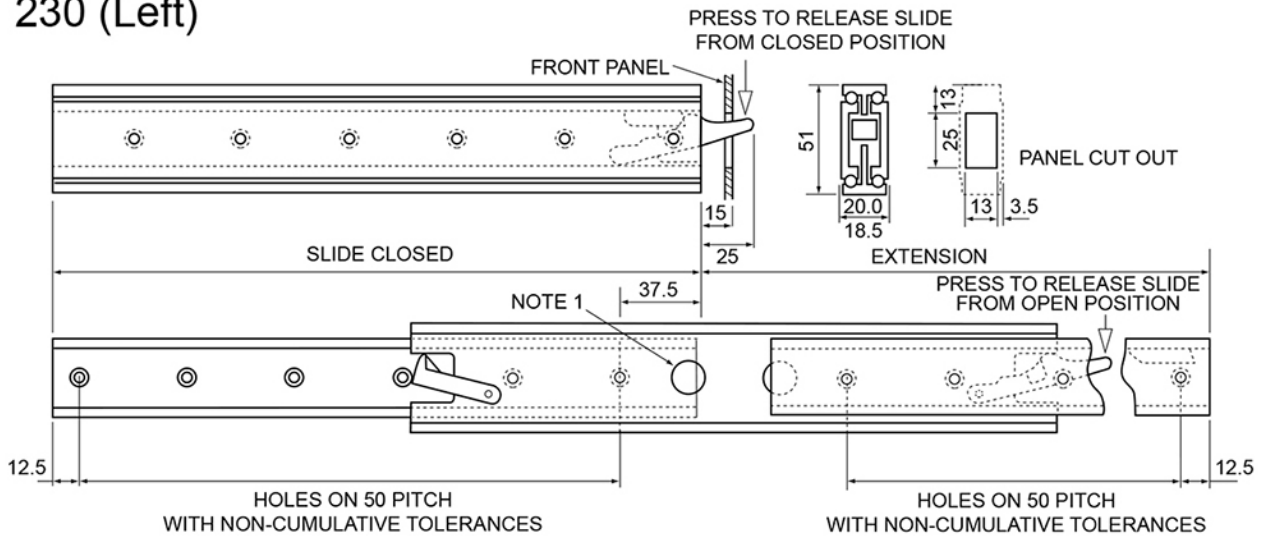


**General Data**

**220 (Right)**



**230 (Left)**



Designation	Closed Length	Extension Length	System Load Capacity (N)	Number of Fixing Holes	Remark
220-300	300	330	550	6	Right
220-350	350	380	620	7	Right
220-400	400	430	710	8	Right
220-450	450	480	780	9	Right
220-500	500	530	840	10	Right
220-550	550	580	880	11	Right
220-600	600	630	900	12	Right
230-300	300	330	550	6	Left
230-350	350	380	620	7	Left
230-400	400	430	710	8	Left
230-450	450	480	780	9	Left
230-500	500	530	840	10	Left
230-550	550	580	880	11	Left

**General Data**

Designation	Closed Length	Extension Length	System Load Capacity (N)	Number of Fixing Holes	Remark
230-600	600	630	900	12	Left