

## Miniature Metal Bellows Coupling MKP

- Short design with lateral clamping hub
- High torsional stiffness - flexible

Tightening torque refers to screws.

Dimensions in mm. Length dimensions according to DIN ISO 2768 cH.

**Material:** Bellows: stainless steel Hubs: high-tensile strength aluminium Clamping screws: ISO 4762 - 12.9 Press-fit wire: brass

**Temperature range (°C):** -40° to +200°C

**Max. Speed (rpm):** 20 000

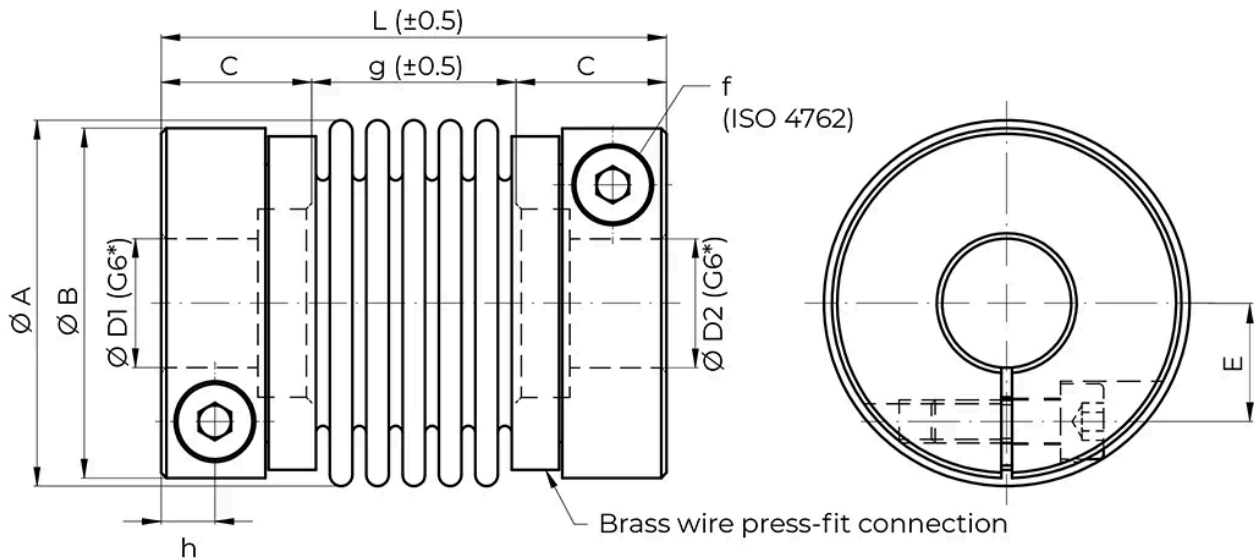


## General Data

| Designation | Nominal Torque (Nm) | Max. Torque (Nm) | Moment of inertia ( $10^{-6}\text{kg}\cdot\text{m}^2$ ) | Torsional stiffness (Nm/arcmin) | Axial max. shaft misalignment (mm) |
|-------------|---------------------|------------------|---|---------------------------------|------------------------------------|
| MKP2        | 2                   | 4                | 2.5   | 400                             | 0.3                                |
| MKP5        | 5                   | 10               | 0.8   | 800                             | 0.3                                |
| MKP7        | 7                   | 14               | 12  | 1 700                           | 0.4                                |
| MKP8        | 8                   | 16               | 25  | 2 100                           | 0.5                                |
| MKP12       | 12                  | 24               | 28  | 2 600                           | 0.4                                |

| Designation | Lateral max. shaft misalignment (mm) | Axial spring rate (N/mm) | Lateral spring rate (N/mm) | Tightening Torque (Nm) | Weight (g) |
|-------------|--------------------------------------|--------------------------|----------------------------|------------------------|------------|
| MKP2        | 0.1                                  | 32                       | 100                        | 2                      | 30         |
| MKP5        | 0.1                                  | 70                       | 400                        | 2                      | 40         |
| MKP7        | 0.15                                 | 70                       | 220                        | 4                      | 80         |
| MKP8        | 0.15                                 | 20                       | 90                         | 8                      | 125        |
| MKP12       | 0.15                                 | 45                       | 190                        | 8                      | 130        |

## Dimensions



\*Other bore tolerances on request.

| Designation | Nominal Torque (Nm) | A                | B    | L  | C    | g  | f  | E   | $\varnothing D1/2$ min. |
|-------------|---------------------|------------------|------|----|------|----|----|-----|-------------------------|
| MKP2        | 2                   | 24.5             | -    | 35 | 13   | 9  | M3 | 7.5 | 3                       |
| MKP5        | 5                   | 24.5             | -    | 36 | 13   | 10 | M3 | 7.5 | 6                       |
| MKP7        | 7                   | 34 ( $\pm 0.5$ ) | 32.5 | 47 | 14   | 19 | M4 | 11  | 6                       |
| MKP8        | 8                   | 39.5             | -    | 51 | 16.6 | 18 | M5 | 13  | 6                       |
| MKP12       | 12                  | 39.5             | -    | 51 | 16.6 | 18 | M5 | 13  | 6                       |

| Designation | $\varnothing D1/2$ max. |
|-------------|-------------------------|
| MKP2        | 10                      |

| Designation | ØD1/2 max. |
|-------------|------------|
| MKP5        | 10         |
| MKP7        | 17         |
| MKP8        | 19         |
| MKP12       | 19         |